



ELECTRONIC FAN SPEED CONTROLLER

"VENTS RS-1-300"

INTENTION

Speed controller is used for smooth control of speed of domestic fans or other similar goods. Controller must be placed into the mounting box.

BASIC TECHNICAL SPECIFICATION

Supply voltage 230 V, 50/60 Hz.

Output power, not more than: 300 W (load current not more than 1.5 A).

Type of load: inductive, active.

Overall dimensions, not more than: 95x85x60 mm.

Weight: not more than 0.11 kg.

Degree of protection against dust and moisture: IP40 (only from the side of front panel).

Operating conditions of fan: from -10°C to $+40^{\circ}\text{C}$ at relative humidity of not more than 80 %.

In ambient air, there should be no explosive and corrosive admixtures.

COMPLETE SET

Complete set includes:

controller 1 pc.

certificate

packaging box.

SAFETY REQUIREMENTS

Activities on installation of controller must be carried out by qualified electrician in accordance with existing normative documents.

Attention! Controller circuit is under network potential. Mounting, connection and setting of minimum speed must be carried out only after its disconnection from the mains supply.

DESIGN DESCRIPTION

Appearance of the controller is shown in Fig.1.

GUIDANCE ON INSTALLATION AND OPERATION

Controller must be installed onto vertical wall in hidden or external mounting box inside premises.

At that, during mounting and operation, it is not allowed:

ingress of splashes or rain drops

ingress of direct sun rays

installation of heating devices, other sources of heat in the vicinity of controller.

Connection to the mains must be carried out via switch with gap between open contacts of 3 mm for all poles, built into fixed wiring.

Connection of the controller to the mains must be carried out according to the circuit, shown in Fig.2.

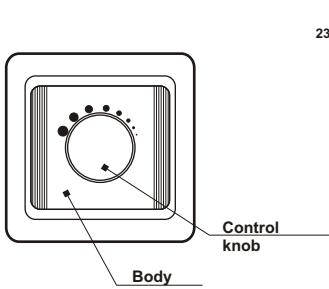


Fig.1

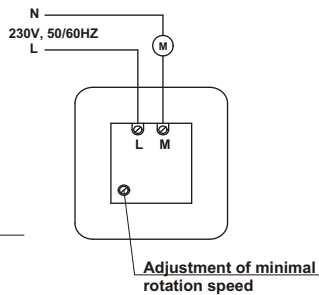


Fig.2

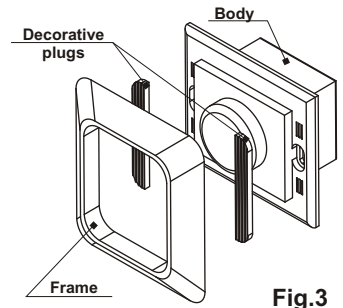


Fig.3

INSTALLATION PROCEDURE (see Fig.3)

Carefully remove the frame from the body of controller.

Using screwdriver, remove decorative plugs.

For connection, it is necessary to:

- de-energize lead wires of electrical network
- remove insulation from the ends of wires for 5-7 mm, then put them into appropriate jacks of clamps of the controller up to the stop and tighten the ends of wires in clamps with screws
- fasten the controller on the mounting box with screws after laying down lead wires of electrical network in it
- place back decorative plugs and frame.

Setting of minimum rotation speed is carried out using screwdriver in special opening in back cover (see Fig.2).

After connection of controller to the mains, turn the control knob clockwise up to the click to switch it on. Decrease of fan speed is carried out by rotating the knob clockwise, increase of fan speed by rotating it counterclockwise.

For protection against overloading, the controller is equipped with built-in replaceable fuse.

Recommended minimum rotation speed is not less than half of maximum speed.

STORAGE RULES

It is necessary to store speed controller in manufacturer's package in the ventilated premise at temperature from +5°C to +40°C and relative air humidity of not more than 80 % (at T = 25°C).

MANUFACTURER'S WARRANTY

The manufacturer, "Vents" Joint-Stock Company, guarantees normal operation of speed controller during 12 months from the date of sale through retail trade network, in case of observance of transportation, storage, assembling and operation rules. The warranty does not cover the goods with signs of mechanical damages.

If note about date of sale is absent, warranty period is started from the date of production. If any failures in operation of heat regulator through manufacturer's fault are detected during the warranty period, the consumer has a right to replace heat regulator at the manufacturer, according to Clause 14, Item 9 of the Law of Ukraine "About Protection of Consumers".

Replacement is carried out by the address: 01030, Kiev, M.Kotsiubinsky Str. 1

ACCEPTANCE CERTIFICATE

Speed controller is accepted as ready for operation

Model
"VENTS RS-1-300"

Date of production

Acceptance stamp

Sold

(name of trade enterprise, stamp of the shop)

Date of sale