

Series
FBK



■ **Applications**

Bag type air filters are applied for supply air and sometimes for exhaust air purification in rectangular duct ventilating and conditioning systems. They serve to protect air ducts, heat exchangers, control equipment and other ventilating equipment against dusting. The filters minimize wall and ceiling pollution near the air diffuser. Coarse filters can be used as first stage purification filters before more efficient filters.

■ **Design**

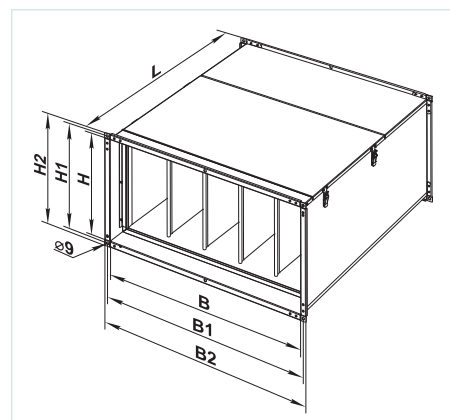
The casing is made of galvanized steel. The swing-out cover equipped with lever locks provides easy and quick access to the replaceable filtering element. The pocket-type filtering element is made of non-woven synthetic fibrous fabric and is fixed on the steel frame. The filters are available in G4, F5, F7 filtering classes.

■ **Mounting**

Mounting is performed by means of flange connection. The air flow direction shall match the pointer direction on the filter. Both horizontal and vertical installation is possible. In case of vertical installation the air shall be streamed downwards in such a way as to avoid the bag crumpling. Access for the fan maintenance shall be provided for the filter cleaning or replacement.

Overall dimensions:

Type	Dimensions [mm]							Weight [kg]
	B	B1	B2	H	H1	H2	L	
FBK 400x200	400	420	440	200	220	240	500	6.2
FBK 500x250	500	520	540	250	270	290	600	7.8
FBK 500x300	500	520	540	300	320	340	600	8.3
FBK 600x300	600	620	640	300	320	340	600	8.9
FBK 600x350	600	620	640	350	370	390	600	9.5
FBK 700x400	700	720	740	400	420	440	720	16.2
FBK 800x500	800	820	840	500	520	540	800	20.4
FBK 900x500	900	920	940	500	520	540	800	21.7
FBK 1000x500	1000	1020	1040	500	570	540	800	23.5



Designation key:

Series	Flange dimensions (WxH) [mm]	Filtering class
FBK SFK	400x200; 500x250; 500x300; 600x300; 600x350; 700x400; 800x500; 900x500; 1000x500	4 – G4 5 – F5 7 – F7

Replaceable filter SFK



