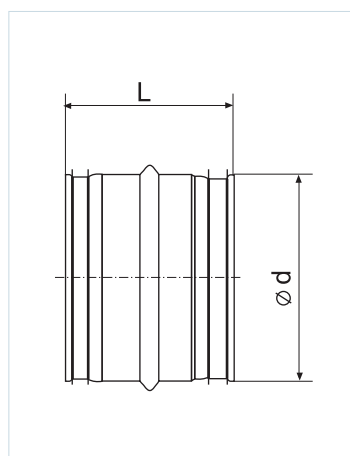


Coupling



Type	Diameter (d), mm	Steel thickness (p), mm	Length (L), mm
Coupling 100	100	0.55	140
Coupling 110	110	0.55	140
Coupling 125	125	0.55	140
Coupling 140	140	0.55	140
Coupling 150	150	0.55	140
Coupling 160	160	0.55	140
Coupling 180	180	0.55	140
Coupling 200	200	0.55	140
Coupling 224	224	0.55	140
Coupling 250	250	0.55	140
Coupling 280	280	0.55	140
Coupling 315	315	0.55	140
Coupling 355	355	0.55	140
Coupling 400	400	0.70	140
Coupling 450	450	0.70	140
Coupling 500	500	0.70	140
Coupling 560	560	0.70	180
Coupling 600	600	0.70	180
Coupling 630	630	0.70	180
Coupling 710	710	0.70	180
Coupling 800	800	0.70	180
Coupling 900	900	1.00	180
Coupling 1000	1000	1.00	200
Coupling 1120	1120	1.00	200
Coupling 1250	1250	1.00	200
Coupling 1400	1400	1.00	200
Coupling 1600	1600	1.00	200