

SUPPLY AND EXHAUST MULTIPLE-ROW EDGE-RAISED METAL GRILLES

MVMPO Series



Colour modifications



Overall dimensions

Model	Dimensions, [mm]					Air pass, [m ²]	Number of rows
	L	H	l	h	A		
MVMPO 150x250/2	150	250	136	236	5,5	0,0068	2
MVMPO 150x350/2	150	350	136	336	5,5	0,0104	2
MVMPO 180x250/2	180	250	166	236	5,5	0,0068	2
MVMPO 195x245/2	195	245	181	231	5,5	0,0135	2
MVMPO 200/2	200	200	186	186	5,5	0,0099	2
MVMPO 200x100/2	200	100	186	86	5,5	0,0036	2
MVMPO 200x250/2	200	252	186	238	5,5	0,0135	2
MVMPO 200x300/2	200	300	186	286	5,5	0,0162	2
MVMPO 200x350/2	200	350	186	336	5,5	0,0199	2
MVMPO 200x405/2	200	405	186	391	5,5	0,0235	2
MVMPO 215x150/2	215	150	201	136	5,5	0,0072	2
MVMPO 225x150/2	225	150	211	136	5,5	0,0072	2
MVMPO 225/2	225	225	211	211	5,5	0,0117	2
MVMPO 240/2	240	240	226	226	5,5	0,0126	2
MVMPO 240x165/2	240	165	226	151	5,5	0,0081	2
MVMPO 240x195/2	240	195	231	181	5,5	0,0099	2
MVMPO 250/2	250	250	236	236	5,5	0,0135	2
MVMPO 250x110/2	250	110	236	96	5,5	0,0045	2
MVMPO 250x140/2	250	140	236	126	5,5	0,0072	2
MVMPO 250x150/2	250	150	236	136	5,5	0,0072	2
MVMPO 250x170/2	250	170	236	156	5,5	0,0090	2
MVMPO 250x200/2	250	200	236	186	5,5	0,0108	2
MVMPO 250x300/2	250	300	236	286	5,5	0,0162	2
MVMPO 250x350/2	250	350	236	336	5,5	0,0208	2
MVMPO 250x400/2	250	400	236	386	5,5	0,0235	2
MVMPO 250x450/2	250	450	236	436	5,5	0,0271	2
MVMPO 250x500/2	250	500	236	486	5,5	0,0298	2

Application

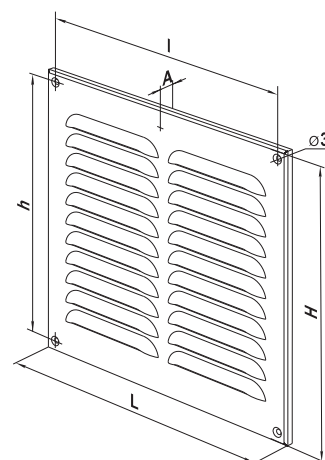
- Decoration of exhaust vents of public, residential and industrial ventilation systems.
- For ventilation, air conditioning and heating.
- Used for correct air flow distribution in premises.
- Internal or external wall and ceiling mounting.

Design

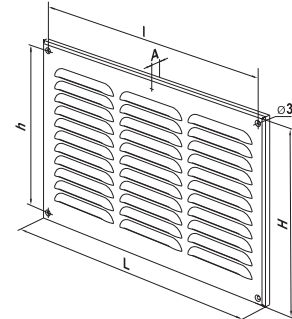
- Made of steel, galvanized steel or aluminium and are suitable for colourful polymer painting.
- Edge-raised grille design.
- Screw fixing.
- Quality materials and zinc-phosphate treatment ensure coating integrity and provide reliable corrosion protection.
- Modifications with a protecting insect screen are available.

Modifications

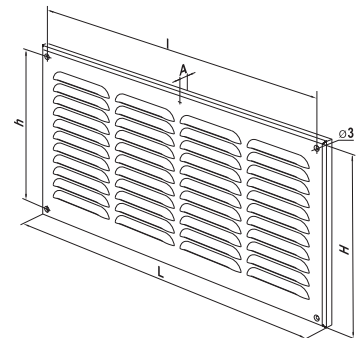
- **MVMPO ...** – basic steel models with white polymer coating.
- **MVMPO ... A** – aluminium grille models with white polymer coating.
- **MVMPO ... s A** – aluminium models with white polymer coating and protecting insect screen.
- **MVMPO ... A (no/p)** – aluminium grille models.
- **MVMPO ... s A (no/p)** – aluminium models with a protecting insect screen.
- **MVMPO ... Zn** – galvanized steel grille models.
- **MVMPO ... s** – steel models with white polymer coating and a protecting insect screen.
- **MVMPO ... s Zn** – galvanized steel models with a protecting insect screen.
- **MVMPO «colour code»** – colourful polymer painted models.



Model	Dimensions, [mm]					Air pass, [m ²]	Number of rows
	L	H	l	h	A		
MVMPO 300/3	300	300	286	286	5,5	0,0243	3
MVMPO 305x100/3	305	100	291	86	5,5	0,0068	3
MVMPO 305x150/3	305	150	291	136	5,5	0,0108	3
MVMPO 305x350/3	305	350	291	336	5,5	0,0311	3
MVMPO 305x400/3	305	400	291	386	5,5	0,0352	3
MVMPO 305x450/3	305	450	291	436	5,5	0,0406	3
MVMPO 305x500/3	305	500	291	486	5,5	0,0447	3
MVMPO 350x200/3	350	200	336	186	5,5	0,0162	3
MVMPO 350x250/3	350	250	336	236	5,5	0,0203	3
MVMPO 350x300/3	350	300	336	286	5,5	0,0257	3
MVMPO 350/3	350	350	336	336	5,5	0,0311	3
MVMPO 350x400/3	350	400	336	386	5,5	0,0352	3
MVMPO 350x450/3	350	450	336	436	5,5	0,0406	3
MVMPO 350x500/3	350	500	336	486	5,5	0,0447	3
MVMPO 360x140/3	360	140	346	126	5,5	0,0108	3
MVMPO 360x180/3	360	180	346	166	5,5	0,0135	3



Model	Dimensions, [mm]					Air pass, [m ²]	Number of rows
	L	H	l	h	A		
MVMPO 400/4	400	400	386	386	5,5	0,0270	4
MVMPO 400x200/4	400	200	386	186	5,5	0,0217	4
MVMPO 400x250/4	400	250	386	236	5,5	0,0468	4
MVMPO 400x300/4	400	300	386	286	5,5	0,0325	4
MVMPO 400x350/4	400	350	386	336	5,5	0,0415	4
MVMPO 400x450/4	400	450	386	436	5,5	0,0541	4
MVMPO 400x500/4	400	500	386	486	5,5	0,0596	4
MVMPO 450x250/4	450	250	436	236	5,5	0,0271	4
MVMPO 450x300/4	450	300	436	286	5,5	0,0343	4
MVMPO 450x350/4	450	350	436	336	5,5	0,0415	4
MVMPO 450x400/4	450	400	436	386	5,5	0,0469	4
MVMPO 450/4	450	450	436	436	5,5	0,0541	4
MVMPO 450x500/4	450	500	436	486	5,5	0,0596	4



Model	Dimensions, [mm]					Air pass, [m ²]	Number of rows
	L	H	l	h	A		
MVMPO 500x250/5	500	250	486	236	5,5	0,0338	5
MVMPO 500x300/5	500	300	486	286	5,5	0,0429	5
MVMPO 500x350/5	500	350	486	336	5,5	0,0519	5
MVMPO 500x400/5	500	400	486	386	5,5	0,0587	5
MVMPO 500x450/5	500	450	486	436	5,5	0,0677	5

