



## 3-Position speed switch

“VENTS P3-1-300”

### INTENTION

Speed controller is used for speed switching of domestic fans or other similar goods which have the multispeed motors.

Speed switch must be placed into the mounting box.

### BASIC TECHNICAL SPECIFICATION

Supply voltage 230 V, 50/60 Hz.

Output power, not more than: 600 W (load current not more than 3 A).

Type of load: inductive, active.

Overall dimensions, not more than: 88x88x51 mm.

Degree of protection against dust and moisture: IP40 (only from the side of front panel).

Operating conditions of the switch: from -10C to +40C at relative humidity of not more than 80 %.

In ambient air, there should be no explosive and corrosive admixtures.

### COMPLETE SET

Complete set includes:

- speed switch 1 pc.
- certificate
- packaging box.

### SAFETY REQUIREMENTS

Activities on installation of controller must be carried out by qualified electrician in accordance with existing normative documents.

Attention! Controller circuit is under network potential. Mounting, connection and setting of minimum speed must be carried out only after its disconnection from the mains supply.

### DESIGN DESCRIPTION

Appearance of the controller is shown in Fig.1.

Position of the speed switch device respond to the following regimes:

- OFF - switched off
- L - low speed
- M - middle speed
- H - high speed

### GUIDANCE ON INSTALLATION AND OPERATION

Speed switch must be installed onto vertical wall in hidden or external mounting box inside premises. At that, during mounting and operation, it is not allowed:

- ingress of splashes or rain drops
- ingress of direct sun rays
- installation of heating devices, other sources of heat in the vicinity of controller.

Connection to the mains must be carried out via switch with gap between open contacts of 3 mm for all poles, built into fixed wiring.

Connection of the controller to the mains must be carried out according to the circuit, shown in Fig.2.

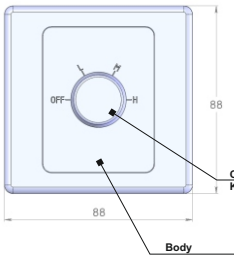


Fig. 1

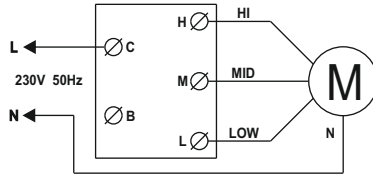


Fig. 2

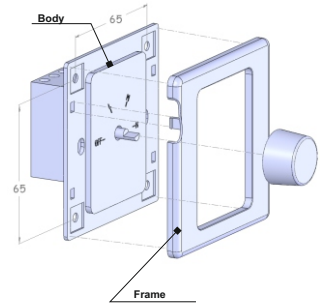


Fig. 3

**INSTALLATION PROCEDURE** (see Fig.3)

Using screwdriver, remove the control knob of the speed switch. There are 4 holders on the backside of the switch body which fasten the frame of the switch.

Take off the front panel by forcing back accurately 2 holders.

For connection, it is necessary to:

- de-energize lead wires of electrical network;
- remove insulation from the ends of wires for 5-7 mm, then put them into appropriate jacks of clamps of the speed switch up to the stop and tighten the ends of wires in clamps with screws;
- fasten the speed switch on the mounting box with screws after laying down lead wires of electrical network in it;
- place back the frame (push till the click-sound);
- place back the control knob of the speed switch.

After connection of speed switch to the mains, turn the control knob anticlockwise up to the stop (position "OFF"). Increase of fan speed is carried out by rotating the knob clockwise.

**STORAGE RULES**

It is necessary to store speed controller in manufacturer's package in the ventilated premise at temperature from +5°C to +40°C and relative air humidity of not more than 80 % (at T = 25°C).

**MANUFACTURER'S WARRANTY**

The manufacturer guarantees normal operation of speed controller during 12 months from the date of sale through retail trade network, in case of observance of transportation, storage, assembling and operation rules. The warranty does not cover the goods with signs of mechanical damages.

If note about date of sale is absent, warranty period is started from the date of production.

If any failures in operation of heat regulator through manufacturer's fault are detected during the warranty period, the consumer has a right to replace speed switch at the sales point.

**ACCEPTANCE CERTIFICATE**

Speed controller is accepted as ready for operation

Model  
"VENTS P3-1-300"

Date of production

Sold  
(name of trade enterprise, stamp of the shop)

Acceptance stamp

Date of sale