

CEILING BATHROOM FANS



**CBF
series**

*Fresh air in
your house!*



VENTS
ventilation-systems.com



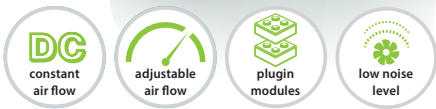
MEMBER



Intertek

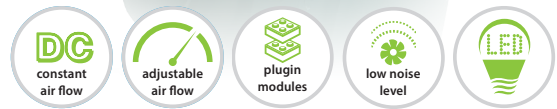


Vents CBF DC series



- DC motor with low energy demand.
- Constant air flow.
- Low noise level.
- Wide speed setting range.
- Modular design enables easy connection of a humidity or motion sensor.

Vents CBF DC Light series



- DC motor with low energy demand.
- Constant air flow.
- Low noise level.
- Integrated speed controller.
- Modular design enables easy connection of a humidity or motion sensor.
- Integrated LED light with low energy demand.

Vents CBF series



- Two speed AC motor with overheating protection.
- Low noise level.
- Modular design enables easy connection of a humidity or motion sensor.

Vents CBF Light series



- Two speed AC motor with overheating protection.
- Low noise level.
- Modular design enables easy connection of a humidity or motion sensor.
- Integrated LED light with low energy demand.

Application

- Continuous or periodic exhaust ventilation of bathroom, showers, kitchens and other residential premises.
- Ceiling installation.
- Designed for high-resistant ductworks.
- Compatible with Ø100 and 150 mm air ducts.

Design

- The clip-on plastic grille ensures easy mounting and cleaning of the fan.
- It boasts modern design and a pleasant look.

- The modular grille design enables easy connection of an optional humidity or motion sensor.



- The casing is made of galvanized steel.
- The impeller is made of high-quality durable ABS plastic.
- The centrifugal impeller is equipped with forward curved blades for high pressure and low noise.

- The fan features a gravity backdraft damper.
- The **CBF DC Light** and **CBF Light** fans are equipped with two energy-efficient LED lamps.



LED lamp

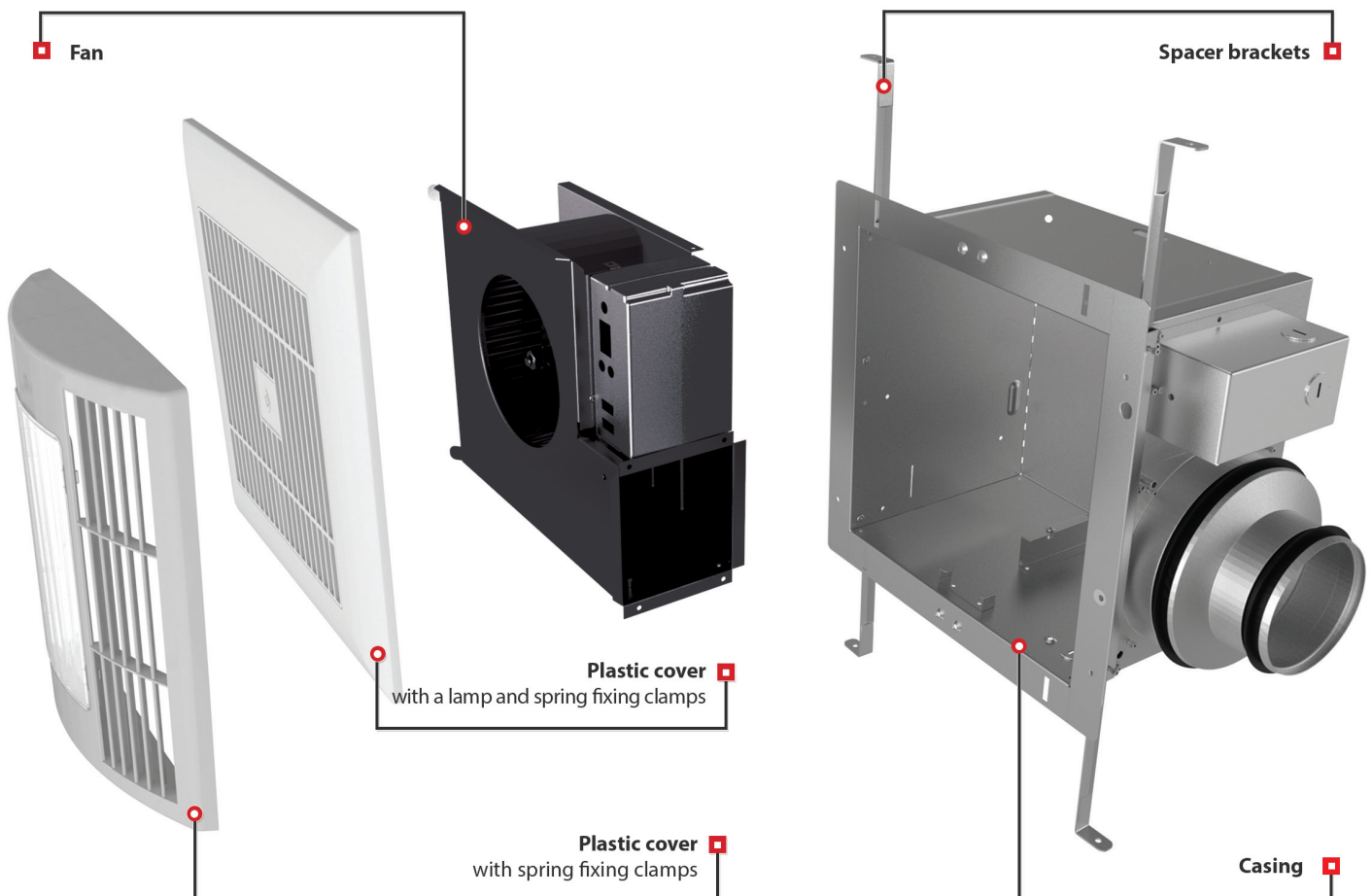
Power: 10 W
Colour temperature: 3 000 K
Luminous flux: 650 lumens

Incandescent lamp

Power: 60 W

- Ingress protection rating IPX4.

Design scheme



CEILING FANS

Motor

- The CBF DC fan features a high-efficient low-watt direct current motor with overheating protection.
- The constant air flow technology provides required air flow in a wide range of static pressure.
- The CBF fan features a reliable asynchronous two-speed motor with overheating protection.
- Maintenance-free bearings contain enough grease for 40 000 hrs continuous operation.

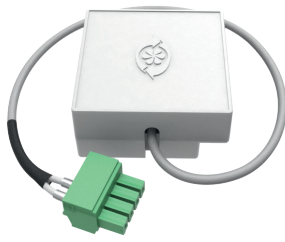
Options

- CBF: basic model with a two-speed motor.

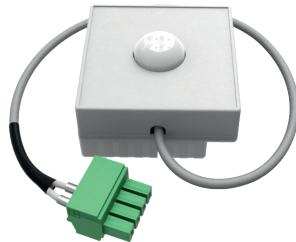


The CBF DC and CBF T models are equipped with an adjustable turn-off delay timer.

A humidity sensor or a motion sensor (available separately) can be optionally connected to this fan modification.



Humidity sensor TH



Motion sensor TP

Control

The built-in control panel of the **CBF DC** and **CBF T** fans enables setup of the following parameters:

- Turn-off delay
- Humidity setpoint
- Air flow for the modes 1 and 2

Name	Adjustment range for operation modes 1 and 2
CBF 110 DC	Off / speed 1 ... speed 6
CBF 150 DC	Off / speed 1 ... speed 10
CBF 200 T	Off / speed 1 / speed 2
CBF 250 T	Off / speed 1 / speed 2
CBF 300 T	Off / speed 1 / speed 2



Control panel for the CBF DC and CBF T fans

MANUAL CONTROL

The fan is controlled by means of the P2-10 speed switch (available separately).

AUTOMATIC CONTROL

Timer «T»: The fan constantly operates in Mode 1. Mode 2 is triggered by the light switch closing. Upon the light switch opening, the built-in turn-off delay timer keeps the fan running in Mode 2 from 2 to 30 minutes. On elapsing of this period the fan reverts to Mode 1.

The CBF modification with a timer and an optional humidity sensor **TH** (available separately): the fan constantly operates in Mode 1. If the indoor humidity level exceeds the sensor threshold value set in the 60-90 % range, the fan switches to Mode 2. When the humidity level reverts to the pre-set value, the built-in turn-off delay timer keeps the fan running in Mode 2 from 2 to 30 minutes. On elapsing of this period the fan reverts to Mode 1.

The CBF modification with a timer and an optional motion sensor **TP** (available separately): The fan constantly operates in Mode 1. If the motion sensor detects movement within its range, the fan goes to Mode 2. When the movement is no longer detected, the built-in turn-off delay timer keeps the fan running in Mode 2 from 2 to 30 minutes. On elapsing of this period the fan reverts to Mode 1.

Mounting features

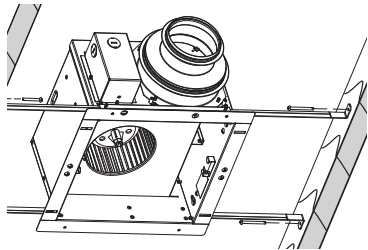
- The fan is designed for ceiling mounting.
- The fan is attached to the ceiling joists with spacer brackets and self-tapping screws.
- The flexible air duct is connected to the fan exhaust flange through a clamp.



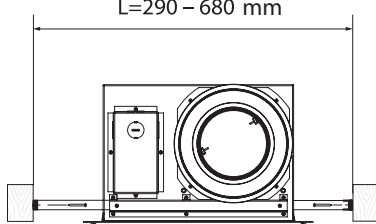
Application example

The fan design offers three basic installation types:

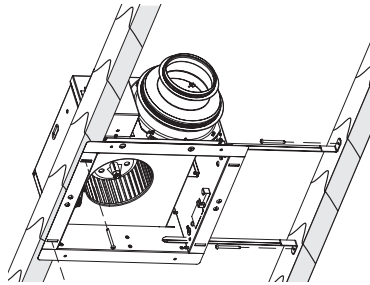
Fixation between the ceiling joists via fixing brackets



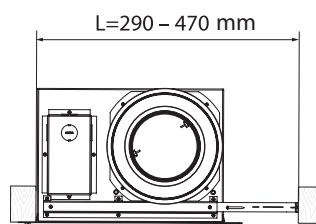
L=290 – 680 mm



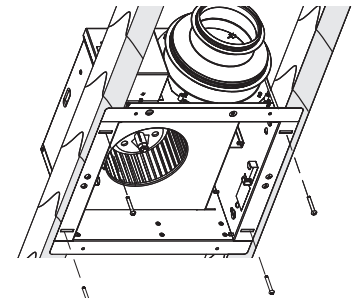
Side fixation to one of ceiling joists



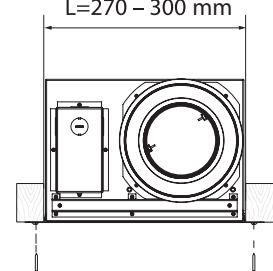
L=290 – 470 mm



Direct fixation to ceiling joists



L=270 – 300 mm

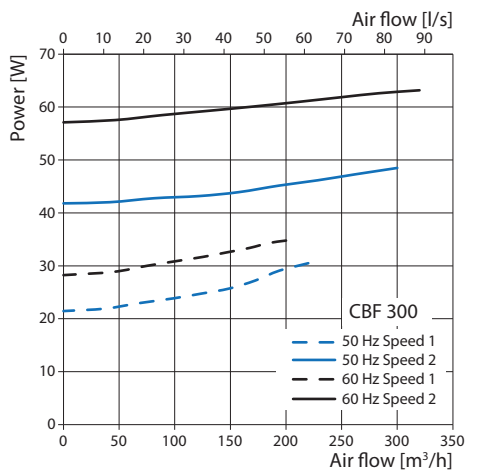
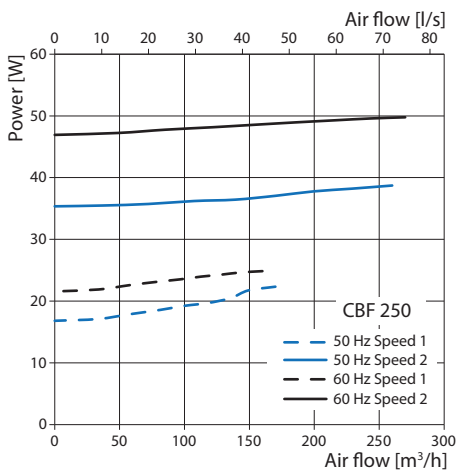
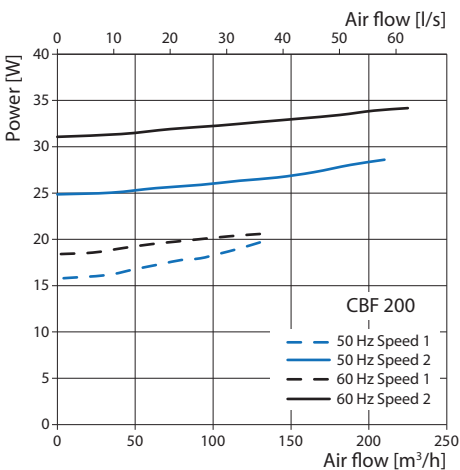
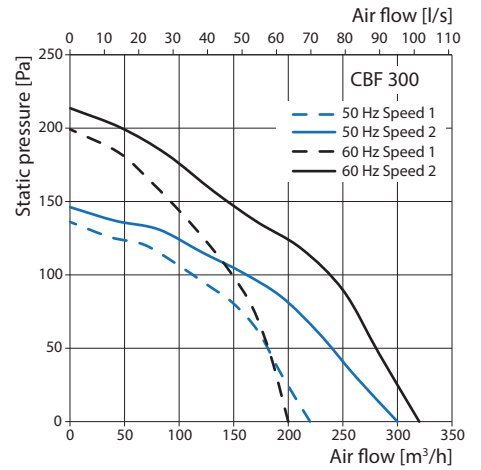
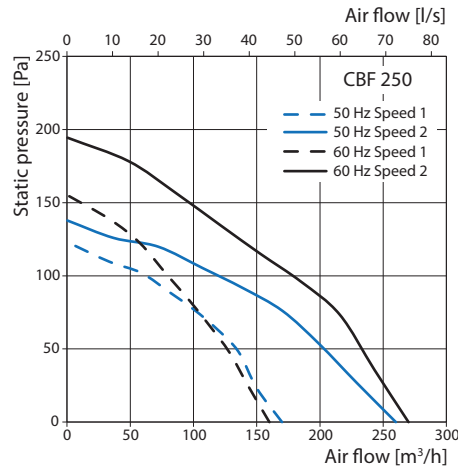
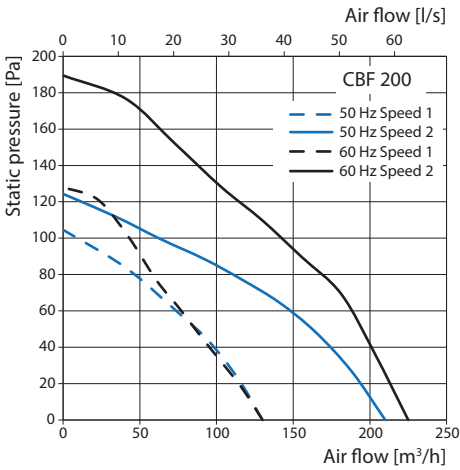


CEILING FANS

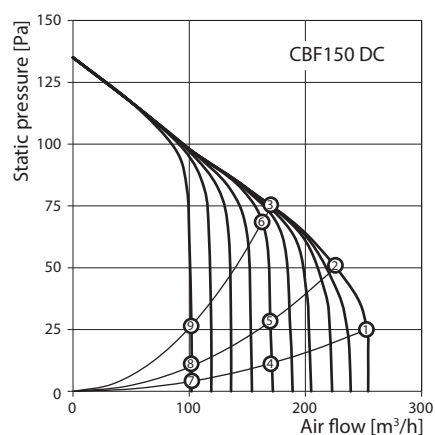
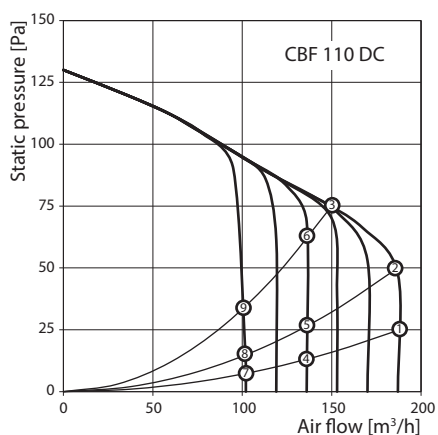
Technical data

Model	CBF 200 CBF 200 Light				CBF 250 CBF 250 Light				CBF 300 CBF 300 Light				CBF 110 DC	CBF 150 DC
	50		60		50		60		50		60		50/60	50/60
Frequency [Hz]	50		60		50		60		50		60		50/60	50/60
Speed	1	2	1	2	1	2	1	2	1	2	1	2		
Voltage [V]	220-240				220-240				220-240				120-240	120-240
Power [W]	20	29	21	34	23	39	25	50	31	49	35	63	19	26
LED light power [W*]	2 x 10				2 x 10				2 x 10				2 x 10	2 x 10
RPM [min ⁻¹]	714	1026	588	936	756	1122	732	1140	936	1254	888	1320	1100	1100
Current [A]	0.1	0.13	0.11	0.15	0.12	0.18	0.14	0.22	0.15	0.22	0.17	0.28	0.18 (0.3)	0.24 (0.39)
Maximum air flow [m ³ /h]	130	210	130	225	170	260	160	270	220	300	200	320	187	254
Maximum air flow [l/s]	36	58	36	63	47	72	44	75	61	83	56	89	52	71
SFP [W/l/s]	0.55	0.50	0.58	0.54	0.49	0.54	0.56	0.67	0.51	0.59	0.63	0.71	0.37	0.37
Sound pressure level at 3 m distance [dBA]	24	27	24	28	25	29	25	30	28	31	27	32	from 23 up to 25	from 23 up to 29
SEC class	D				C				C				C	C

*only for the CBF Light and CBF DC Light models



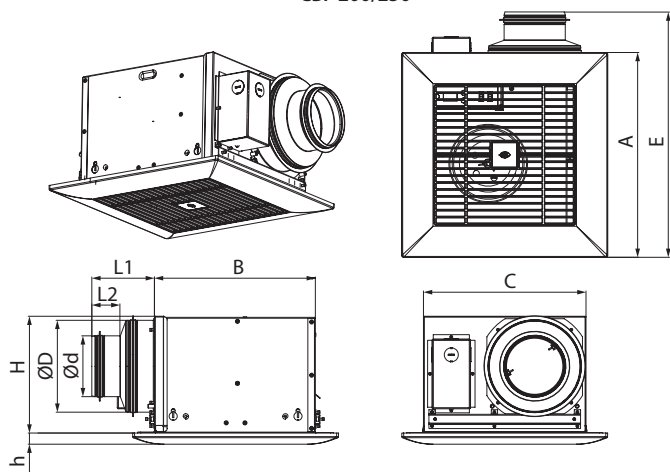
Point	Power [W]	
	CBF 110 DC CBF 110 DC Light	CBF 150 DC CBF 150 DC Light
1	17	24
2	19	22
3	16	19
4	9	13
5	12	15
6	15	17
7	4	5
8	4	5
9	6	6



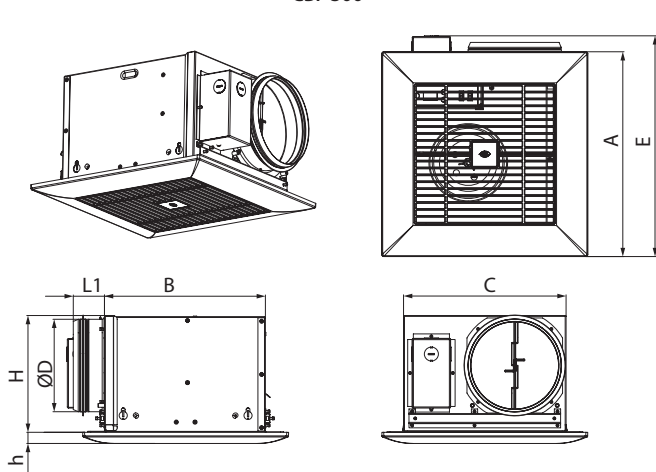
Overall dimensions

Model	Dimensions [mm]											
	D	d	L1	L2	A	B	C	E	H	h	a	b
CBF 110 DC CBF 200/250	148	98	100	45	330	258	260	395	188	18	-	-
CBF 110 DC Light CBF 200/250 Light	148	98	100	45	330	258	260	395	188	62	208	123
CBF 150 DC CBF 300	149	-	50	-	330	258	260	395	188	18	-	-
CBF 150 DC Light CBF 300 Light	149	-	50	-	330	258	260	395	188	62	208	123

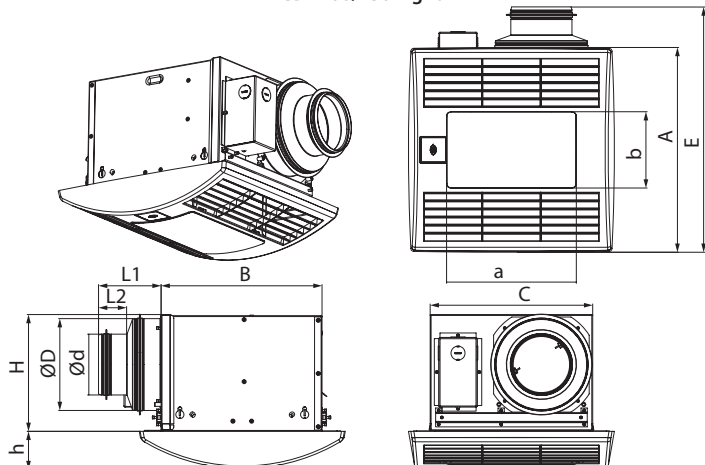
CBF 110 DC
CBF 200/250



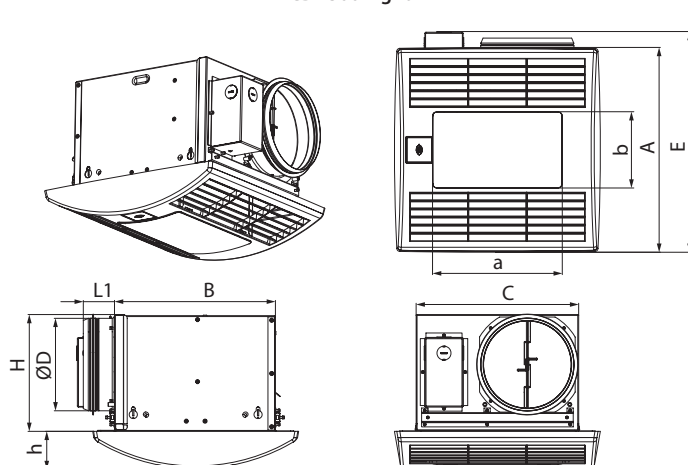
CBF 150 DC
CBF 300



CBF 110 DC Light
CBF 200/250 Light









CBF 150 DC Light
CBF 300 Light



CEILING FANS

Accessories

Name	Accessory image	Description	CBF 110 DC	CBF 150 DC	CBF 200 CBF 250	CBF 300	CBF 200 T CBF 250 T	CBF 300 T
P2-10		Speed switch	●	●	●	●	●	●
TH CBF		Humidity sensor	●	●	○	○	●	●
TP CBF		Motion sensor	●	●	○	○	●	●
MVM 102 BVs N		Stainless steel ventilation hood Ø 100 mm	●	○	●	○	●	○
MVM 152 bVs N		Stainless steel ventilation hood Ø 150 mm	●	●	●	●	●	●
MV 102 V ASA		ASA-plastic ventilation hood Ø 100 mm	●	○	●	○	●	○
MV 152 V ASA		ASA-plastic ventilation hood Ø 150 mm	●	●	●	●	●	●
Polyvent 660 102/3		Flexible air duct Ø 100 mm, 3 m long	●	○	●	○	●	○
Polyvent 660 152/3		Flexible air duct Ø 150 mm, 3 m long	●	●	●	●	●	●
CB 100		Quick-detachable stainless steel clamp Ø 90-110 mm	●	○	●	○	●	○
CB 150		Quick-detachable stainless steel clamp Ø 140-160 mm	●	●	●	●	●	●
CH-PLC-10WG23*		10 W LED light with colour temperature 3000 K	●	●	●	●	●	●

*only for the CBF Light and CBF DC Light models

www.ventilation-system.com

VENTS reserves the rights to modify any of its products' features, designs, components and specifications at any time and without notice to maintain the development and quality of manufactured goods.

01/2018

