

Series  
**FB K2**  
**FB K2 ES**



■ **Application**

Filters are designed for use in supply ventilation and conditioning systems requiring high level of air purification. Designed for connection to ø100, 125, 150 and 200 mm round air ducts.

■ **Design**

Corrosion resistant casing made of polymer coated steel. Convenient access for filter replacement.

■ **Mounting**

The compact design offers the ideal mounting solutions for limited mounting space, including suspended ceiling mounting. Wall or ceiling mounting is performed by means of the supplied mounting brackets. Filters can be installed in any position.

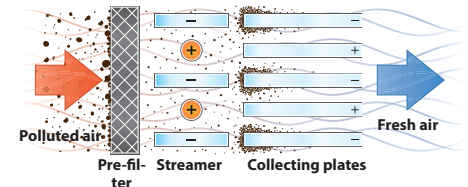
■ **Air filtration**

The casing incorporates a service panel for quick access to the filters. Pre-filtering with a G4 filter. Secondary filtering with an F8 filter or H13 HEPA filter. F8 filter delays up to 98 % of solid particles with a diameter of 2.5 microns. H13 filter delays up to 99 % of solid particles with a diameter of 2.5 microns, as well as fluff and bacteria. For additional removal of unwanted odours and gases, it is possible to install a carbon filter. Fine filtration with an electrostatic filter (ES modification).

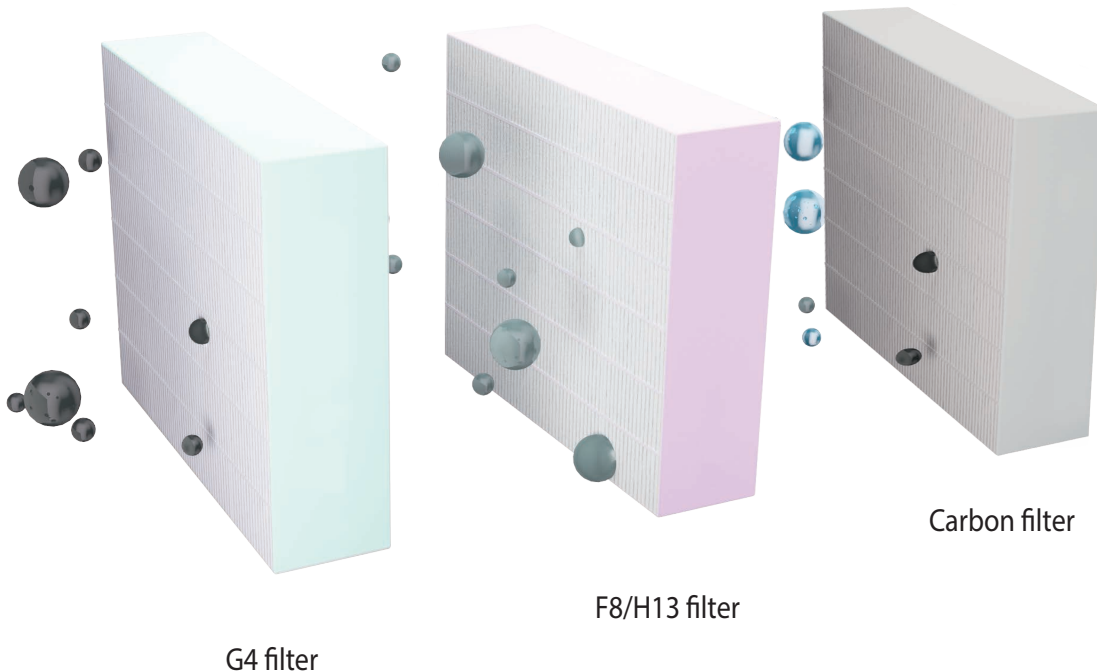
■ **Electrostatic filter**

Electrostatic filter enables purification of air from fine dust and soot, spray, smoke and other particles with the size of 0.01 microns and less. Maximum filter cleaning efficiency is 98 %. The electrostatic fil-

ters rely on gravity of oppositely charged particles. The polluted air stream flows through the spray charging unit for the particle ionization. As a result of the adsorption of the ions on the particle surface the ionized particles are moved by the air stream and accumulated on the collecting plates, which are oppositely charged.



The filter cleaning interval depends on the inlet air pollution density and may vary from 7 up to 21 days. The filter cleaning interval is determined according to the results of the visual inspection of the filters. Vacuum cleaning is allowed.



G4 filter

F8/H13 filter

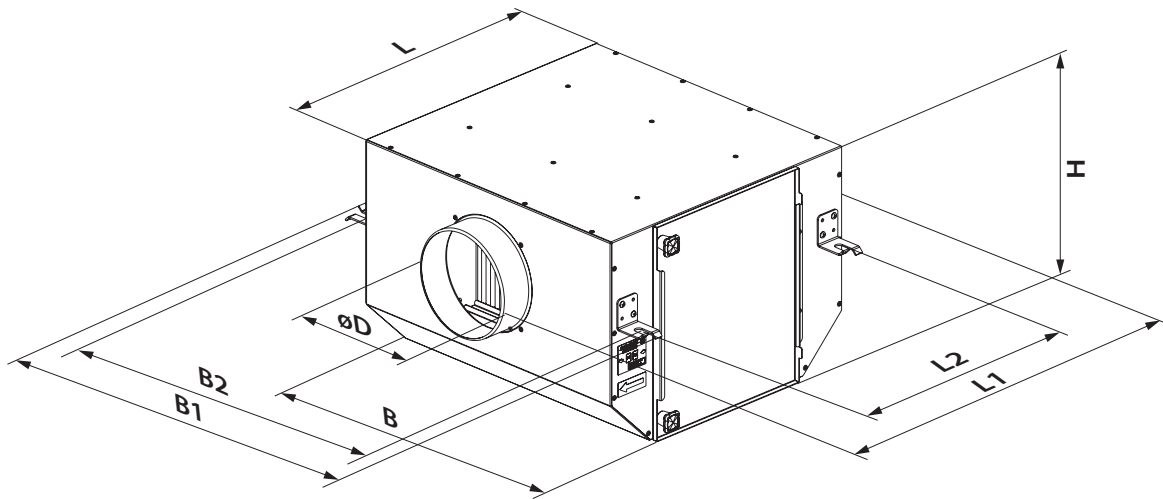
Carbon filter

**Designation key**

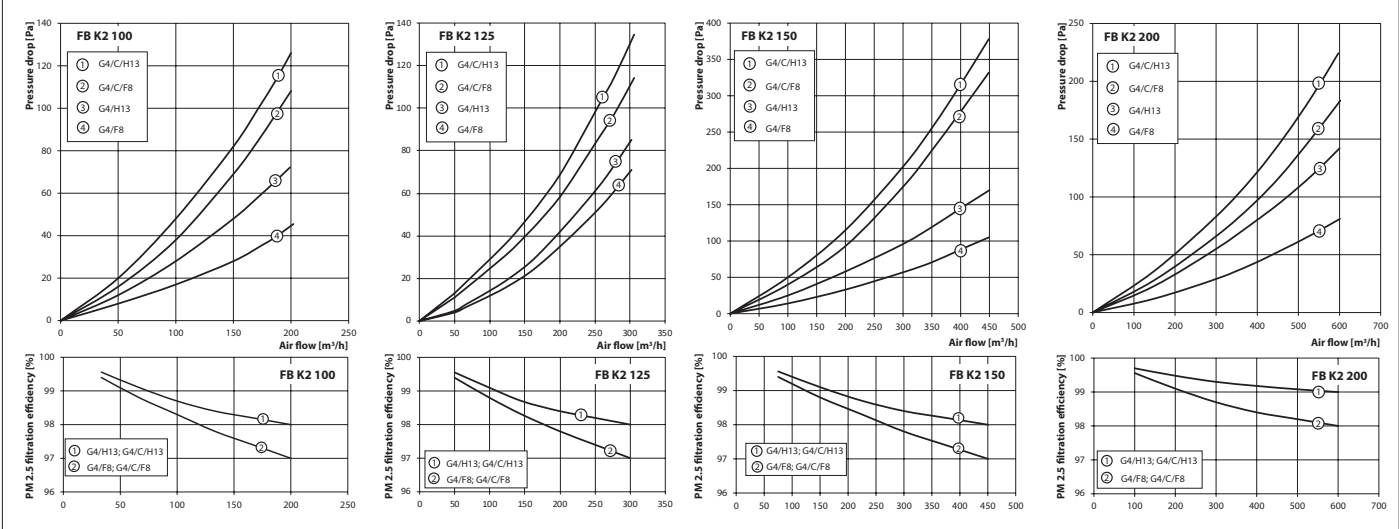
Series	Spigot diameter [mm]	Filters
<b>FB K2</b>	100; 125; 150; 200	<b>G4/F8:</b> G4 + F8 filters <b>G4/C/F8:</b> G4 + F8 filters + Carbon <b>G4/H13:</b> G4 + H13 filters <b>G4/C/H13:</b> G4 + H13 filters + Carbon <b>ES:</b> electrostatic filter

**Overall dimensions**

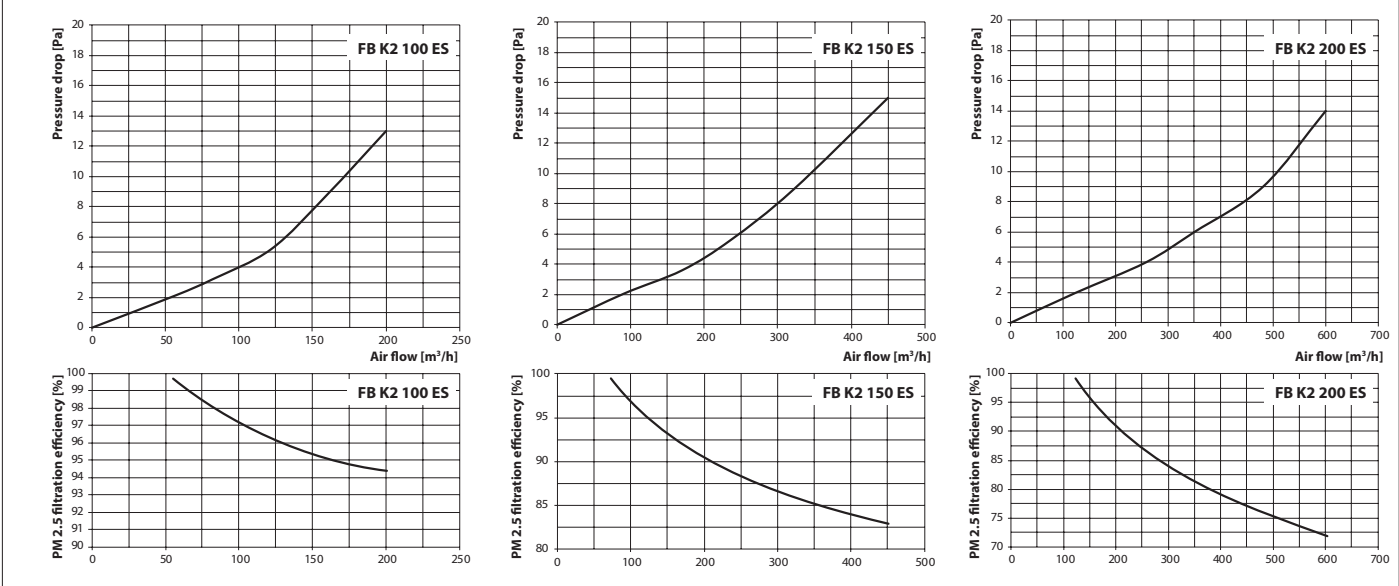
Model	Dimensions [mm]								Mass [kg]
	D	L	H	B	L1	B1	L2	B2	
FB K2 100 G4/F8	100	250	250	415	614	508	456	458	7.47
FB K2 100 G4/C/F8									8.18
FB K2 100 G4/H13									7.47
FB K2 100 G4/C/H13									8.18
FB K2 100 ES		514		458	614	551	456	502	11.5
FB K2 125 G4/F8	125	250	250	415	614	508	456	458	7.47
FB K2 125 G4/C/F8									8.18
FB K2 125 G4/H13									7.47
FB K2 125 G4/C/H13									8.18
FB K2 150 G4/F8	150	413.5	300	440	513.5	533	358.5	483	8.47
FB K2 150 G4/C/F8									9.04
FB K2 150 G4/H13									8.47
FB K2 150 G4/C/H13									9.04
FB K2 150 ES		514		458	614	551	456	502	12.7
FB K2 200 G4/F8	200	300	300	605	614	698	456	648	10.62
FB K2 200 G4/C/F8									11.84
FB K2 200 G4/H13									10.62
FB K2 200 G4/C/H13									11.84
FB K2 200 ES		514		658	614	751	456	702	16.8



FB K2



FB K2 ES



Accessories

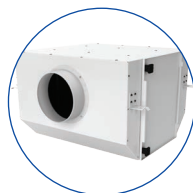
Model	G4 replaceable panel filter	F8 replaceable panel filter	H13 replaceable panel filter	Replaceable carbon panel filter
FB K2 100	SF 220x400x47-G4	SF 220x400x47-F8	SF 220x400x47-H13	SF 220x400x47-C
FB K2 125	SF 220x400x47-G4	SF 220x400x47-F8	SF 220x400x47-H13	SF 220x400x47-C
FB K2 150	SF 270x425x47-G4	SF 270x425x47-F8	SF 270x425x47-H13	SF 270x425x47-C
FB K2 200	SF 270x590x47-G4	SF 270x590x47-F8	SF 270x590x47-H13	SF 270x590x47-C

### Application options

KSV



FB K2  
FB K2 ES



Ventilation hood  
MV 150 VK



Flexivent semi-rigid  
duct system



A 150 VRF disk valve



MV 150 bVs



PANEL FILTERS

FB K2  
FB K2 ES

