

Series  
**VENTSTT-M**



Inline mixed-flow fans enclosed in a metal casing with air capacity up to **11900 m<sup>3</sup>/h**

**Application**

VENTS TT-M fans combine wide capabilities and high performance features of axial and centrifugal fans. The fans are used as component parts of supply and exhaust ventilation systems rated for transportation of large air volumes and requiring high pressure and low noise level. The fans are compatible with Ø 355 up to Ø 500 mm air ducts. Designed for ventilation of residential, public and industrial buildings.

**Design**

The fan casing is made of polymer-coated steel. The mounting brackets attached to the casing optimize mounting of the fan. The fan casing is equipped with an airtight terminal box for connection to power mains.

**Motor**

The fan has a single-speed four-pole single- or three-phase motor and an impeller with diagonal blades. The motor is equipped with thermal electrical relay integrated into the motor winding for overheating protection.

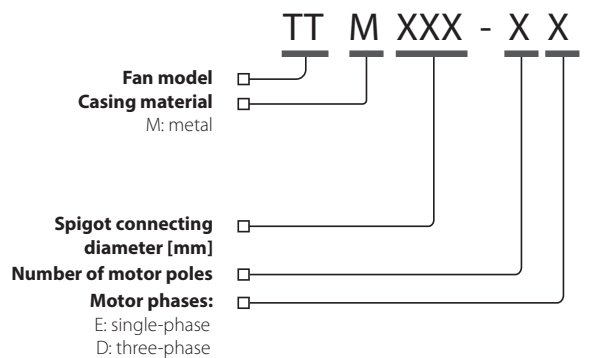
**Speed control**

Smooth or step speed control with a thyristor or auto-transformer speed controller. Several fans may be connected to one speed controller provided that the total power and operating current do not exceed the rated speed controller parameters.

**Mounting**

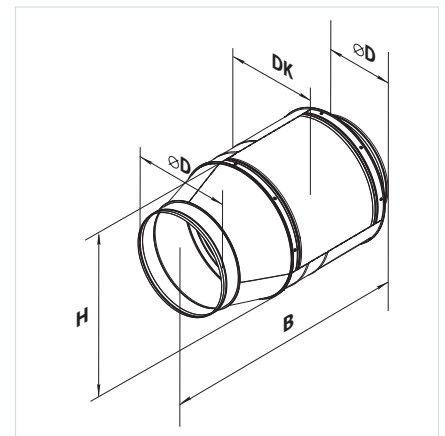
The fans may be mounted at any place and at any angle within the ductwork system. Several fans may be installed in one system in parallel to attain higher air capacity or in series to increase operating pressure in the system.

Designation key:



Overall dimensions

Model	Dimensions			
	B	Ø D	DK	H
TT-M 355-4E	825	353	605	515
TT-M 355-4D	825	353	605	515
TT-M 400-4E	825	397	605	515
TT-M 400-4D	825	397	605	515
TT-M 450-4E	975	447	705	610
TT-M 450-4D	975	447	705	610
TT-M 500-4D	1120	497	805	710



Accessories



### Technical data

	TT-M 355-4E	TT-M 355-4D	TT-M 400-4E	TT-M 400-4D	TT-M 450-4E	TT-M 450-4D	TT-M 500-4D
Voltage 50 (60) Hz [V]	1~ 230	3~ 400	1~ 230	3~ 400	1~ 230	3~ 400	3~ 400
Power [W]	578	585	580	590	1200	1230	2125
Current [A]	3.42	1.77	3.43	1.78	7.72	3.43	4.68
Max. air capacity [m <sup>3</sup> /h]	3340	3480	3610	3740	6385	6635	11900
RPM [min <sup>-1</sup> ]	1480	1490	1480	1490	1475	1490	1455
Sound pressure level at 3 m distance [dBA]	57	57	58	58	65	65	73
Transported air temperature [°C]	-25 +60	-25 +60	-25 +60	-25 +60	-25 +60	-25 +60	-25 +60
Protection rating	IPX4	IPX4	IPX4	IPX4	IPX4	IPX4	IPX4

