



Series VENTS Quiet-dMEV DC



Updated version of low-noise axial fans with DC motors for low energy consumption

Applications

- Innovative extract fan with stylish design for enhanced comfort level in shower rooms, bathrooms, kitchens and other residential premises.
- Maximum air flow combined with low noise level provides the ideal indoor microclimate.
- Mounting into ventilation shafts or connection to Ø 100 mm air ducts.
- Two operation modes with the speed up to 100 m³/h

Design

- The casing and the impeller are made of high-quality and durable UV-resistant plastic.
- The specially designed aerodynamic profile of the mixed-flow impeller provides high air capacity, powerful pressure and low operation noise.
- A shortened spigot enables to mount the fan into a ventilation shaft or connect it to a Ø 100 mm air duct.
- The specially designed air backdraft damper prevents air backdraft and heat losses during standstill of the fan.
- The fan exhaust spigot is equipped with specially designed air rectifiers that reduce air turbulence, noise level and boost air pressure.
- High ingress protection rating makes the fan the ideal solution for ventilation of a bathroom.
- The electronic components are protected with tight covers.

Colour modifications



100 Quiet-dMEV DC
Red



100 Quiet-dMEV DC
Vintage



100 Quiet-dMEV DC
Aluminum Lacquer



100 Quiet-dMEV DC
Chrome



100 Quiet-dMEV DC
Black Sapphire

Motor

- High-efficient direct current motor with low energy consumption of maximum 3.4 W.
- Maintenance-free bearings are greased for 40 000 hrs of non-stop operation.
- The motor is equipped with overheating protection.

Modifications and Options



Quiet-dMEV DC 12: modification with safe low-voltage 12 V ac motor.



Quiet-dMEV DC T: timer modification with a fixed turn-on delay of 60 s and a regulated turn-off delay from 2 up to 30 minutes.



Quiet-dMEV DC TH: modification with a turn-off delay timer regulated from 2 up to 30 minutes and a humidity sensor with an adjustable threshold from 60% to 90% RF.



Quiet-dMEV DC VT: modification with a pull cord switch and a turn-off delay timer regulated from 2 up to 30 minutes.



Quiet-dMEV DC VTH: modification with a pull cord switch, a turn-off delay timer regulated from 2 up to 30 minutes and a humidity sensor with an adjustable threshold from 60% to 90% RF.

Operation modes of 100 Quiet-dMEV DC fan with a pull cord switch, integrated turn-on and turn-off delay timer and a humidity sensor

Operation mode selection and setup for the 100 Quiet-dMEV DC models with T, TH, VT, VTH options is performed by setting the DIP switch to a respective position.

Trickle speed modes:

- 1 - 0 l/s: the fan is off
 - 2 - 6 l/s: the fan runs with the speed 2
 - 3 - 8 l/s: the fan runs with the speed 3
 - 4 - 13 l/s: the fan runs with the speed 4
- Intensive operation modes (Boost)
- 5 - 15 l/s: the fan runs with the speed 5
 - 6 - max: the fan runs with the highest speed.

Operation mode 1

- The fan runs with the Trickle speed by default. In case of actuation of the pull cord switch the fan goes to the Boost speed mode.

Operation mode 2

- The fan runs with the Trickle speed by default. In case of actuation of the switch the turn-on delay timer countdown starts and then the fan starts to run with the Boost speed. After turning the fan off the turn-off delay timer is activated.

Operation mode 3

- The fan runs with the Trickle speed by default. In case of actuation of the humidity sensor the fan goes to the Boost speed mode. After decrease of the indoor humidity below the set threshold the turn-off delay timer is activated.

Control

Manual control:

- Manual operation with a room light switch. The light switch is not included in the delivery set.
- Manual operation with the integrated pull cord switch **V**. Not applied in case of ceiling mounting.

Automatic control:

- Automatic control with the electronic control unit **BU-1-60** (see Electrical Accessories). The control unit is supplied separately.
- Automatic control with the timer **T**: the integrated timer with turn-on and turn-off delay functions enables to switch the fan to the intensive operation mode 60 seconds after the switch actuation and to keep the fan running from 2 to 30 minutes after it is turned off with the switch.
- Automatic control with the humidity sensor and timer **TH**: as the indoor humidity exceeds the set threshold from 60 % up to 90 %, the fan turns automatically on or goes to higher speed and runs until the humidity decreases below the set threshold.
- After that the fan continues to run within the set time period and then turns off or goes to lower speed.

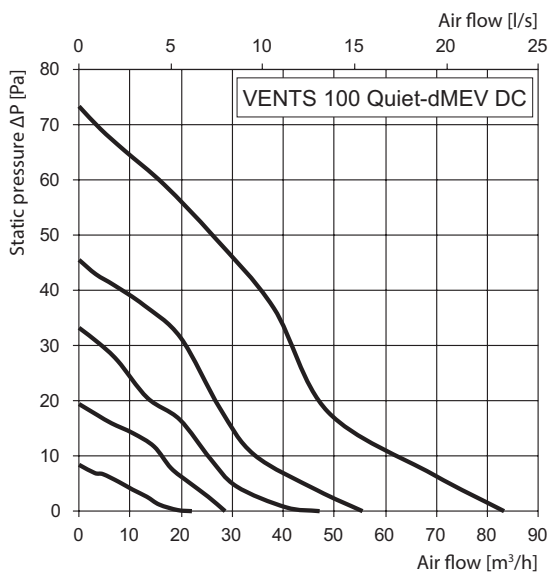
Mounting features

- Direct installation inside a ventilation shaft.
- In case of remote location of the ventilation shaft flexible air ducts may be used.
- The air duct is connected to the exhaust spigot with a fixing clamp.
- Wall mounting with screws.
- Suitable for ceiling mounting.

Technical data

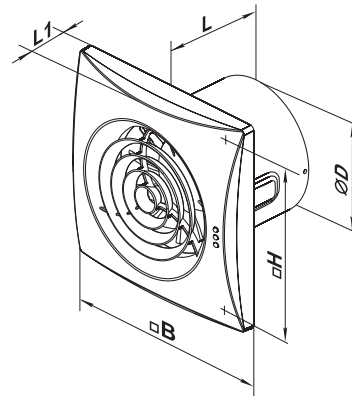
Model	Speed	Frequency [Hz]	Voltage [V]	Current [A]	Power Consumption [W]		Air capacity		Specific Power W/l/s	Sound Pressure Level at 3 m [dBA]
					min.	max.	[m ³ /h]	[l/s]		
100 Quiet-dMEV DC	Trickle Low	50/60	220-240	0.014	0.6	0.7	22	6	0.10	10
	Trickle Middle			0.017	0.8	0.9	29	8	0.10	11
	Trickle High			0.024	1.3	1.7	47	13	0.10	13
	Boost Low			0.028	1.9	2.1	54	15	0.13	14
	Boost High			0.039	3.0	3.4	83	23	0.15	21

Aerodynamic characteristics



Overall dimensions

Model	Dimensions [mm]				
	$\varnothing D$	B	H	L	L1
VENTS 100 Quiet-dMEV DC	99	158	136	81	26



Certificates



The fans meet the applicable safety and electromagnetic compatibility standards