

A22



A22 WiFi



Application

The A22/A22 WiFi control panels are used for control of industrial and domestic air handling units with an A21 automation system.

Installation and connection

The A22/A22 WiFi control panels are suitable for wall flush and wall surface mounting. Mounting boxes for wall surface mounting and wall flush mounting are included in the delivery set. Connection of the control panel is carried out according to the User's manual of the unit.

Technical data

Wired A22 control panel (connected to the unit with a cable)

	A22
Voltage [V]	24
Maximum current [A]	0.025
Cable type	4x0.25 mm ²
Temperature range [°C]	from +10 up to +45
Humidity range [%]	from 10 % up to 80 % (no condensation)
SEC class	IP40

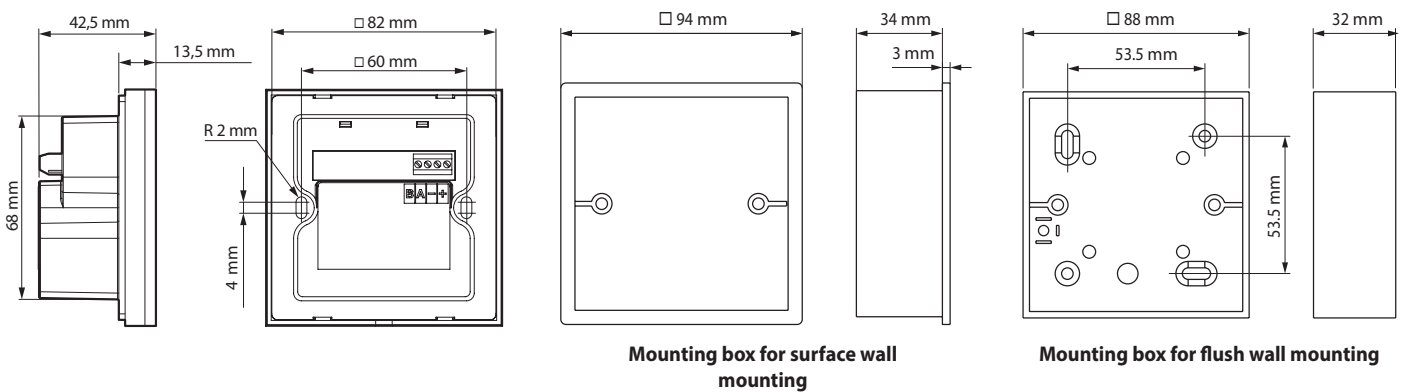
Wireless A22 WiFi control panel (connected to the unit via Wi-Fi)

	A22 WiFi
Supply voltage, 50 (60) Hz [V]	110-230
Maximum current [A]	0.012
Cable type	2x0.35 mm ²
Temperature range [°C]	from +10 up to +45
Humidity range [%]	from 10 % up to 80 % (no condensation)
Casing material	Plastic
Sensor surface material	Glass
SEC class	IP40
Weight [g]	190

Wi-Fi data

Standard	IEEE 802.11 b/g/n
Frequency band [GHz 2.4]	2.4
Transmission power [mW] (dBm)	100 (+20)
Network	DHCP
WLAN safety	WPA, WPA2

Overall dimensions



Mounting box for surface wall mounting

Mounting box for flush wall mounting