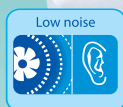


VENTS Casto Series



Low-noise and energy saving axial fan for exhaust ventilation with air flow up to 255 m³/h

Application

- Continuous or periodic exhaust ventilation of bathroom, showers, kitchens and other utility spaces.
- Ventilation of premises with high noise level limitations.
- Mounting into ventilation shafts or connection to Ø100 and 150 mm air ducts.

Design

- The casing and the impeller are made of high-quality durable ABS plastic, UV resistant.
- Specially designed impeller aerodynamic profile provides high air flow and low noise.
- The fan is equipped with a back valve to prevent back flow and heat losses during the fan standby.
- The fan exhaust spigot incorporates specially designed air rectifiers to reduce air turbulence, increase air pressure and lower noise level.

Motor

- Low energy demand from 8 W due to new high-efficient motor.
- Designed for continuous operation and requires no maintenance.
- Motor equipped with overheating protection.

Modifications and Options



Casto L – the motor is equipped with ball bearings for long service life (appr. 40 thousand hours) and fan mounting at any angle. The bearings are maintenance-free and contain enough grease for the entire operating period.



Casto T – an adjustable turn-off delay timer modification with operating time from 2 to 30 min.



Casto T1 – modification with a turn-on delay timer (adjustable from 0 to 2 minutes) and a turn-off delay timer (adjustable from 2 to 30 minutes).



Casto TH – an adjustable timer modification with the operating time from 2 to 30 min and a humidity sensor with threshold from 60 to 90%.



Casto V – a pull-cord switch modification.



Casto VT – modification with a pull-cord switch and an adjustable timer with operating time from 2 to 30 min.



Casto VTH – modification with a pull-cord switch, an adjustable timer with operating time from 2 to 30 min and a humidity sensor with threshold from 60 to 90%.

Control

Manual control:

- Manual control by a room light switch. The switch is not included into the delivery set.
- The fan is controlled by the built-in pull cord switch **V**. Not applied in case of ceiling mounting.
- Speed control is possible through a thyristor/speed controller (see Electrical Accessories). Speed controllers can not be connected to the fans with T, TH, TP, VT, VTH modification.

Automatic:

- By the electronic control unit **BU-1-60** (see Electrical Accessories). The control unit is supplied separately.
- By the timer **T** (the built-in adjustable turn-off delay timer enables the fan to operate within 2 to 30 minutes after the fan switching off).
- By the timer **T1** (the built-in adjustable turn-on and turn-off delay timer turns on the fan in 0...2 min after the switch provides a control signal and allows it to operate from 2 to 30 minutes after opening of the switch).
- By a humidity sensor and timer **TH** (if the humidity level in the room exceeds the sensor threshold adjustable value within 60-90% the fan switches automatically on and operates until the humidity level drops to the standard level, after that the fan continues operating within the time period according to the timer setting, then shuts down).

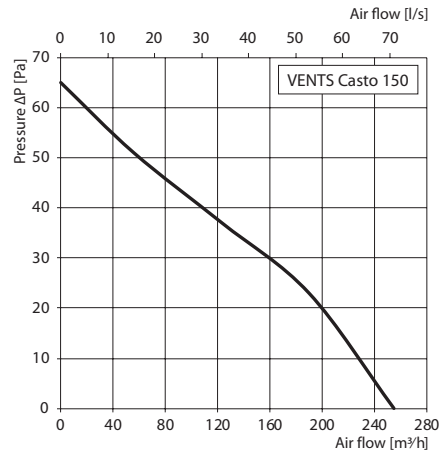
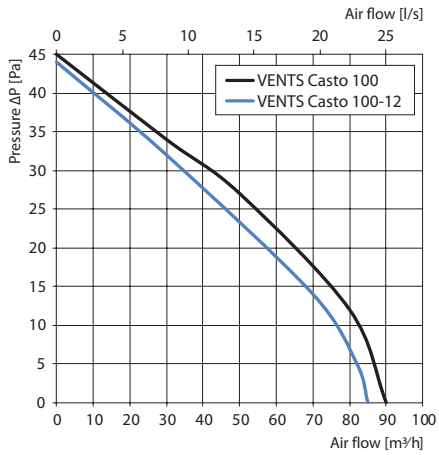
Mounting features

- The fan is mounted directly into the ventilation shaft.
- Flexible duct application is recommended in case of remote location of the ventilation shaft.
- The air duct is connected to the fan exhaust flange through a clamp.
- Fixed to the wall by self-tapping screws.
- Can be ceiling mounted in case the fan is ordered with ball bearings (Casto L modification).

Accessories



Aerodynamic characteristics

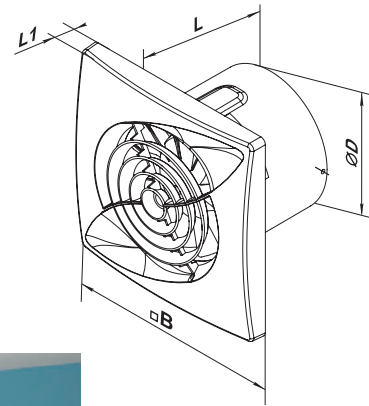


Technical data

| Model | Frequency | Voltage | Power Consumption | Current | Maximum Air Flow | | Specific Power | Sound Pressure Level at 3 m | Weight | IP |
|-------------------------------|-----------|---------|-------------------|---------|---------------------|-------|----------------|-----------------------------|--------|------|
| | | | | | [m ³ /h] | [l/s] | | | | |
| VENTS Casto 100 | [Hz] | [V] | [W] | [A] | [m ³ /h] | [l/s] | [W/l/s] | [dBA] | [kg] | |
| VENTS Casto 100 | 50 | 220-240 | | | | | | | | |
| VENTS Casto 100 (220 V/60 Hz) | 60 | 220 | 8 | 0.05 | 90 | 25 | 0.32 | 29 | 0.45 | IP44 |
| VENTS Casto 100-12 | 50 | 12 | 8 | 1.02 | 85 | 24 | 0.34 | 28 | 0.45 | IP44 |
| VENTS Casto 150 | 50 | 220-240 | 28 | 0.21 | 255 | 71 | 0.39 | 35 | 0.97 | IP44 |

Overall dimensions

| Model | Dimensions [mm] | | | |
|-----------------|-----------------|-----|-----|----|
| | Ø D | B | L | L1 |
| VENTS Casto 100 | 99 | 150 | 79 | 23 |
| VENTS Casto 150 | 148 | 206 | 112 | 23 |



Mounting example



Certificates



The fans meet the applicable safety and electromagnetic compatibility standards.