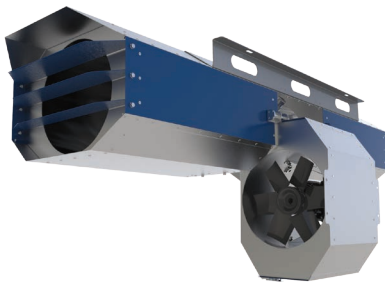
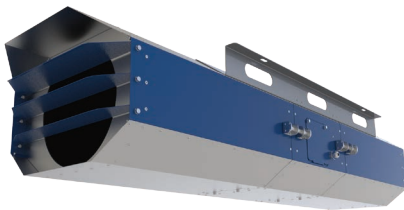


JAF series

Unidirectional single- and double-speed reversible fans



Model JAF - CI



Model JAF - VI

Axial jet fans for ventilation of parkings.
Transported air temperature in continuous mode up to +55°C, in smoke extraction mode: 300 °C/2 h, 400 °C/2 h
Functionality. Power. Efficiency.

■ Application

JAF jet axial fans are designed for general purpose ventilation of underground and semiopened parkings, ventilation of tunnels, smoke extraction in case of fire as a part of smoke extract system. The fans generate a high-speed and high-pressure directed air jet.

■ Modifications

Unidirectional single-speed type (U)
Unidirectional double-speed type (U)
Reversible single-speed (R)
Reversible double-speed (R)

■ Design

JAF casing has a tubular shape and is made of polymer coated steel. There are two models available for order - with cylindrical or octagonal casing. The fan with octagonal casing has lower dimensions in height, a hinged hatch for electrical installation with captive bolts, and a removable middle part for technical service. The fan has a sound insulation of mineral wool. The casing includes inner brackets for motor fixation. These brackets act as directing vanes and distribute air flow uniformly, thus increasing aerodynamic performances of the fan.

■ Motor

A three-phase asynchronous motor with a short-circuit rotor is installed in the fan casing. The motor ingress protection rating is IP55. The motor design ensures operation of the fan in the smoke extract systems or/and in the general ventilation systems on unidirectional and reverse modes. The motors are rated for 400 V power mains voltage and 60 Hz frequency.

■ Impeller

Dynamically balanced impeller made of cast aluminium alloy for smoke extraction fans and of reinforced fiberglass polyamide for general ventilation fans. The reversible fans are equipped with 100 % reversible two-directional impeller.

■ Mounting

JAF fans are designed for horizontal ceiling mounting and fixation by means of the supplied fixing brackets attached to the fan casing.

■ Reference

The fans with octagonal casing can be ordered only in 315, 355, and 400 diameters.

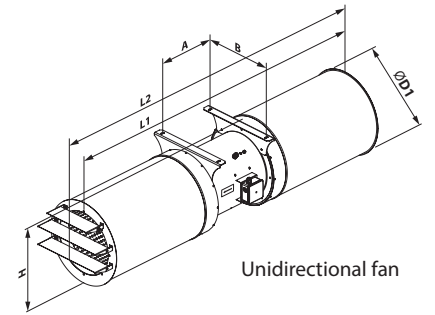
Model	Casing type	Casing insulation	Diameter [mm]	High-powered motor	Pole number	Air flow	Fire resistance limit/hrs	Frequency
JAF (jet axial fan)	- C: round V: octagonal	no symbol means no sound insulation I: sound-insulated casing	- 315 355 400 450 500 560 630	no symbol means the only available standard size M, S: model with a high-power motor	- 2 2/4 (applicable for double-speed motors)	- U: unidirectional R: reversible	- no number: max. +55 °C 300/2: 300 °C/2 hrs. 400/2: 400 °C/2 hrs.	- undefined: 50 Hz 60 Hz: 60 Hz

60 Hz

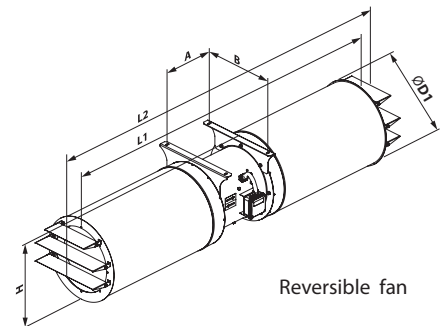
Model JAF – CI

The fans with the fire resistance limit 200 °C/2 h can be manufactured on special request.

Model	Dimensions [mm]						Weight [kg]
	ØD1	A	B	H	L1	L2	
Unidirectional							
JAF-CI-315-U	414	302	355	425	1654	1763	40
JAF-CI-355-U	467	302	420	482	1954	2079	50
JAF-CI-400-U	515	351	460	525	2004	2129	65
JAF-CI-450-U	565	351	500	575	2004	2129	85
JAF-CI-500-U	603	371	580	620	2004	2145	110
JAF-CI-560-U	663	446	620	678	2093	2247	155
JAF-CI-630-U	733	550	710	748	2193	2357	245
Reversible							
JAF-CI-315-R	414	302	355	425	1654	1872	40
JAF-CI-355-R	467	302	420	482	1954	2202	50
JAF-CI-400-R	515	351	460	525	2004	2253	65
JAF-CI-450-R	565	351	500	575	2004	2253	85
JAF-CI-500-R	603	371	580	620	2004	2290	110
JAF-CI-560-R	663	446	620	678	2093	2400	155
JAF-CI-630-R	733	550	710	748	2193	2520	245



Unidirectional fan

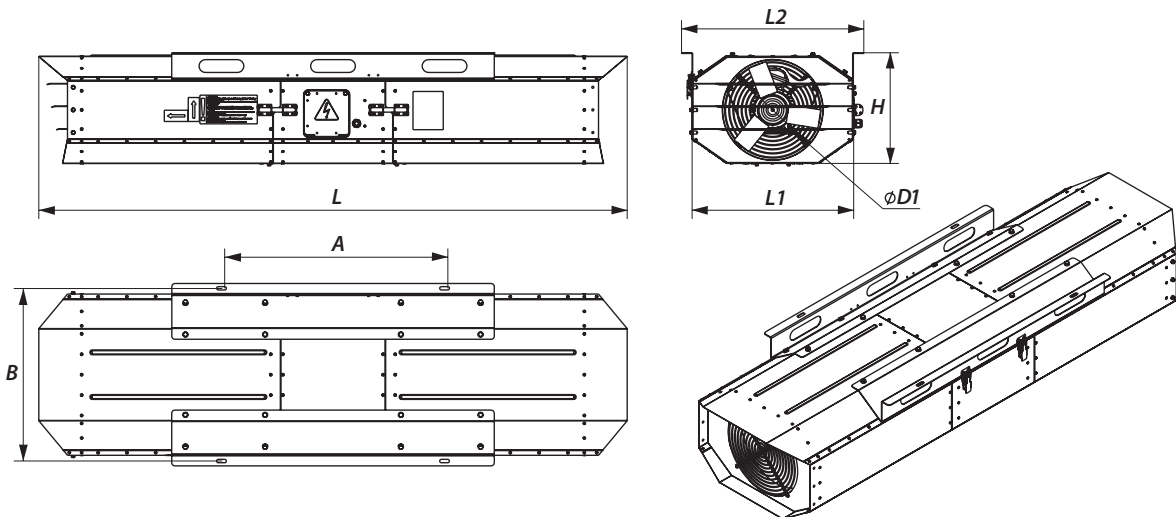


Reversible fan

Model JAF – VI

The fans with the fire resistance limit 200 °C/2 h can be manufactured on special request.

Model	Dimensions [mm]							Weight [kg]
	ØD1	A	B	L1	L2	L	H	
Unidirectional								
JAF-VI-315-U	315	700	542	507	572	1846	347	58
JAF-VI-355-U	355	700	583	546	613	2046	388	75
JAF-VI-400-U	400	750	632	590	667	2296	434	95
Reversible								
JAF-VI-315-R	315	700	542	507	572	1846	347	58
JAF-VI-355-R	355	700	583	546	613	2046	388	75
JAF-VI-400-R	400	750	632	590	667	2296	434	95



60 Hz

■ Technical data for JAF-VI

Ø, mm	Air flow direction	Number of speeds	Model	Power, kW	Max. air capacity, m ³ /h	Fan pull, N	Air speed, m/s	RPM	Operating temperature, °C	Sound pressure LpA, dB in 3 m	
315	Unidirectional	1	JAF-VI-315-2-U-60 Hz	0,55	4110	22	15,6	3460	55 °C	70,3	
			JAF-VI-315-2-U-300/2-60 Hz						300 °C/2 h*		
			JAF-VI-315-2-U-400/2-60 Hz						400 °C/2 h*		
			JAF-VI-315M-2-U-60 Hz	0,75	4770	29	18,1		55 °C	66,1	
			JAF-VI-315M-2-U-300/2-60 Hz						300 °C/2 h*		
			JAF-VI-315M-2-U-400/2-60 Hz						400 °C/2 h*		
		2	JAF-VI-315-2/4-U-60 Hz	0,55/0,11	4110/2055	22/6	15,6/7,8	3460/1730	55 °C	70,3/55,2	
			JAF-VI-315-2/4-U-300/2-60 Hz						300 °C/2 h*		
			JAF-VI-315-2/4-U-400/2-60 Hz						400 °C/2 h*		
			JAF-VI-315M-2/4-U-60 Hz	0,8/0,2	4770/2385	29/8	18,1/9	3460/1730	55 °C	66,1/51	
	JAF-VI-315M-2/4-U-300/2-60 Hz		300 °C/2 h*								
	JAF-VI-315M-2/4-U-400/2-60 Hz		400 °C/2 h*								
	Reversible		1	JAF-VI-315-2-R-60 Hz	0,55	4010	21	15,2	3460	55 °C	69,1
				JAF-VI-315-2-R-300/2-60 Hz						300 °C/2 h*	
		JAF-VI-315-2-R-400/2-60 Hz		400 °C/2 h*							
		2	JAF-VI-315-2/4-R-60 Hz	0,55/0,11	4010/2005	21/6	15,2/7,6	3460/1730	55 °C	69,1/54	
			JAF-VI-315-2/4-R-300/2-60 Hz						300 °C/2 h*		
			JAF-VI-315-2/4-R-400/2-60 Hz						400 °C/2 h*		
355	Unidirectional	1	JAF-VI-355-2-U-60 Hz	0,75	5930	35	17,6	3460	55 °C	65,3	
			JAF-VI-355-2-U-300/2-60 Hz						300 °C/2 h*		
			JAF-VI-355-2-U-400/2-60 Hz						400 °C/2 h*		
			JAF-VI-355M-2-U-60 Hz	1,1	6560	43	19,5		55 °C	67,1	
			JAF-VI-355M-2-U-300/2-60 Hz						300 °C/2 h*		
			JAF-VI-355M-2-U-400/2-60 Hz						400 °C/2 h*		
		2	JAF-VI-355-2/4-U-60 Hz	0,8/0,2	5930/2965	35/9	17,6/8,8	3460/1730	55 °C	65,3/50,2	
			JAF-VI-355-2/4-U-300/2-60 Hz						300 °C/2 h*		
			JAF-VI-355-2/4-U-400/2-60 Hz						400 °C/2 h*		
			JAF-VI-355M-2/4-U-60 Hz	1,1/0,25	6560/3280	43/11	19,5/9,75	3460/1730	55 °C	67,1/52,1	
	JAF-VI-355M-2/4-U-300/2-60 Hz		300 °C/2 h*								
	JAF-VI-355M-2/4-U-400/2-60 Hz		400 °C/2 h*								
	Reversible		1	JAF-VI-355-2-R-60 Hz	1,1	5550	31	16,5	3460	55 °C	71,5
				JAF-VI-355-2-R-300/2-60 Hz						300 °C/2 h*	
		JAF-VI-355-2-R-400/2-60 Hz		400 °C/2 h*							
		2	JAF-VI-355-2/4-R-60 Hz	1,1/0,25	5550/2775	31/8	16,5/8,25	3460/1730	55 °C	71,5/56,5	
			JAF-VI-355-2/4-R-300/2-60 Hz						300 °C/2 h*		
			JAF-VI-355-2/4-R-400/2-60 Hz						400 °C/2 h*		
400	Unidirectional	1	JAF-VI-400-2-U-60 Hz	1,1	7810	48	18,3	3460	55 °C	70,8	
			JAF-VI-400-2-U-300/2-60 Hz						300 °C/2 h*		
			JAF-VI-400-2-U-400/2-60 Hz						400 °C/2 h*		
			JAF-VI-400M-2-U-60 Hz	2,2	9570	72	22,5		55 °C	70,9	
			JAF-VI-400M-2-U-300/2-60 Hz						300 °C/2 h*		
			JAF-VI-400M-2-U-400/2-60 Hz						400 °C/2 h*		
		2	JAF-VI-400-2/4-U-60 Hz	1,1/0,25	7810/3905	48/12	18,3/9,15	3460/1730	55 °C	70,8/55,7	
			JAF-VI-400-2/4-U-300/2-60 Hz						300 °C/2 h*		
			JAF-VI-400-2/4-U-400/2-60 Hz						400 °C/2 h*		
			JAF-VI-400M-2/4-U-60 Hz	2,2/0,5	9570/4785	72/18	22,5/11,25	3460/1730	55 °C	70,9/55,9	
	JAF-VI-400M-2/4-U-300/2-60 Hz		300 °C/2 h*								
	JAF-VI-400M-2/4-U-400/2-60 Hz		400 °C/2 h*								
	Reversible		1	JAF-VI-400-2-R-60 Hz	1,5	8040	51	18,9	3460	55 °C	73,9
				JAF-VI-400-2-R-300/2-60 Hz						300 °C/2 h*	
		JAF-VI-400-2-R-400/2-60 Hz		400 °C/2 h*							
		2	JAF-VI-400-2/4-R-60 Hz	1,5/0,37	8040/4020	51/13	18,9/9,45	3460/1730	55 °C	73,9/58,9	
			JAF-VI-400-2/4-R-300/2-60 Hz						300 °C/2 h*		
			JAF-VI-400-2/4-R-400/2-60 Hz						400 °C/2 h*		

*Smoke extraction mode: once for two hours

■ Technical data for JAF-CI

Ø, mm	Air flow direction	Number of speeds	Model	Power, kW	Max. air capacity, m ³ /h	Fan pull, N	Air speed, m/s	RPM	Operating temperature, °C	Sound pressure LpA, dB in 3 m	
315	Unidirectional	1	JAF-CI-315-2-U-60 Hz	0,55	4110	22	15,6	3460	55 °C	70,3	
			JAF-CI-315-2-U-300/2-60 Hz						300 °C/2 h*		
			JAF-CI-315-2-U-400/2-60 Hz						400 °C/2 h*		
			JAF-CI-315M-2-U-60 Hz	0,75	4770	29	18,1		55 °C	66,1	
			JAF-CI-315M-2-U-300/2-60 Hz						300 °C/2 h*		
			JAF-CI-315M-2-U-400/2-60 Hz						400 °C/2 h*		
		2	JAF-CI-315-2/4-U-60 Hz	0,55/0,11	4110/2055	22/6	15,6/7,8	3460/1730	55 °C	70,3/55,2	
			JAF-CI-315-2/4-U-300/2-60 Hz						300 °C/2 h*		
			JAF-CI-315-2/4-U-400/2-60 Hz						400 °C/2 h*		
			JAF-CI-315M-2/4-U-60 Hz	0,8/0,2	4770/2385	29/8	18,1/9	3460/1730	55 °C	66,1/51	
	JAF-CI-315M-2/4-U-300/2-60 Hz		300 °C/2 h*								
	JAF-CI-315M-2/4-U-400/2-60 Hz		400 °C/2 h*								
	Reversible		1	JAF-CI-315-2-R-60 Hz	0,55	4010	21	15,2	3460	55 °C	69,1
				JAF-CI-315-2-R-300/2-60 Hz						300 °C/2 h*	
		JAF-CI-315-2-R-400/2-60 Hz		400 °C/2 h*							
		2	JAF-CI-315-2/4-R-60 Hz	0,55/0,11	4010/2005	21/6	15,2/7,6	3460/1730	55 °C	69,1/54	
			JAF-CI-315-2/4-R-300/2-60 Hz						300 °C/2 h*		
			JAF-CI-315-2/4-R-400/2-60 Hz						400 °C/2 h*		
355	Unidirectional	1	JAF-CI-355-2-U-60 Hz	0,75	5930	35	17,6	3460	55 °C	65,3	
			JAF-CI-355-2-U-300/2-60 Hz						300 °C/2 h*		
			JAF-CI-355-2-U-400/2-60 Hz						400 °C/2 h*		
			JAF-CI-355M-2-U-60 Hz	1,1	6560	43	19,5		55 °C	67,1	
			JAF-CI-355M-2-U-300/2-60 Hz						300 °C/2 h*		
			JAF-CI-355M-2-U-400/2-60 Hz						400 °C/2 h*		
		2	JAF-CI-355-2/4-U-60 Hz	0,8/0,2	5930/2965	35/9	17,6/8,8	3460/1730	55 °C	65,3/50,2	
			JAF-CI-355-2/4-U-300/2-60 Hz						300 °C/2 h*		
			JAF-CI-355-2/4-U-400/2-60 Hz						400 °C/2 h*		
			JAF-CI-355M-2/4-U-60 Hz	1,1/0,25	6560/3280	43/11	19,5/9,75	3460/1730	55 °C	67,1/52,1	
	JAF-CI-355M-2/4-U-300/2-60 Hz		300 °C/2 h*								
	JAF-CI-355M-2/4-U-400/2-60 Hz		400 °C/2 h*								
	Reversible		1	JAF-CI-355-2-R-60 Hz	1,1	5550	31	16,5	3460	55 °C	71,5
				JAF-CI-355-2-R-300/2-60 Hz						300 °C/2 h*	
		JAF-CI-355-2-R-400/2-60 Hz		400 °C/2 h*							
		2	JAF-CI-355-2/4-R-60 Hz	1,1/0,25	5550/2775	31/8	16,5/8,25	3460/1730	55 °C	71,5/56,5	
			JAF-CI-355-2/4-R-300/2-60 Hz						300 °C/2 h*		
			JAF-CI-355-2/4-R-400/2-60 Hz						400 °C/2 h*		
400		Unidirectional	1	JAF-CI-400-2-U-60 Hz	1,1	7810	48	18,3	3460	55 °C	70,8
				JAF-CI-400-2-U-300/2-60 Hz						300 °C/2 h*	
	JAF-CI-400-2-U-400/2-60 Hz			400 °C/2 h*							
	JAF-CI-400M-2-U-60 Hz			2,2	9570	72	22,5	55 °C		70,9	
	JAF-CI-400M-2-U-300/2-60 Hz							300 °C/2 h*			
	JAF-CI-400M-2-U-400/2-60 Hz							400 °C/2 h*			
	2		JAF-CI-400-2/4-U-60 Hz	1,1/0,25	7810/3905	48/12	18,3/9,15	3460/1730	55 °C	70,8/55,7	
			JAF-CI-400-2/4-U-300/2-60 Hz						300 °C/2 h*		
			JAF-CI-400-2/4-U-400/2-60 Hz						400 °C/2 h*		
			JAF-CI-400M-2/4-U-60 Hz	2,2/0,5	9570/4785	72/18	22,5/11,25	3460/1730	55 °C	70,9/55,9	
		JAF-CI-400M-2/4-U-300/2-60 Hz	300 °C/2 h*								
		JAF-CI-400M-2/4-U-400/2-60 Hz	400 °C/2 h*								
		Reversible	1	JAF-CI-400-2-R-60 Hz	1,5	8040	51	18,9	3460	55 °C	73,9
				JAF-CI-400-2-R-300/2-60 Hz						300 °C/2 h*	
	JAF-CI-400-2-R-400/2-60 Hz			400 °C/2 h*							
	2		JAF-CI-400-2/4-R-60 Hz	1,5/0,37	8040/4020	51/13	18,9/9,45	3460/1730	55 °C	73,9/58,9	
			JAF-CI-400-2/4-R-300/2-60 Hz						300 °C/2 h*		
			JAF-CI-400-2/4-R-400/2-60 Hz						400 °C/2 h*		

60 Hz

Ø, mm	Air flow direction	Number of speeds	Model	Power, kW	Max. air capacity, m ³ /h	Fan pull, N	Air speed, m/s	RPM	Operating temperature, °C	Sound pressure LpA, dB in 3 m
450	Unidirectional	1	JAF-CI-450-2-U-60 Hz	1,5	10500	69	19,5	3460	55 °C	72,1
			JAF-CI-450-2-U-300/2-60 Hz						300 °C/2 h*	
			JAF-CI-450-2-U-450/2-60 Hz						400 °C/2 h*	
			JAF-CI-450M-2-U-60 Hz	2,2	12500	97	23,2		55 °C	71,2
			JAF-CI-450M-2-U-300/2-60 Hz						300 °C/2 h*	
			JAF-CI-450M-2-U-400/2-60 Hz						400 °C/2 h*	
		JAF-CI-450S-2-U-60 Hz	3	13300	110	24,6	55 °C	74,3		
		JAF-CI-450S-2-U-300/2-60 Hz					300 °C/2 h*			
		JAF-CI-450S-2-U-400/2-60 Hz					400 °C/2 h*			
		2	JAF-CI-450-2/4-U-60 Hz	1,5/0,37	10500/5250	69/18	19,5/9,75	3460/1730	55 °C	72,1/57
			JAF-CI-450-2/4-U-300/2-60 Hz						300 °C/2 h*	
			JAF-CI-450-2/4-U-400/2-60 Hz						400 °C/2 h*	
	JAF-CI-450M-2/4-U-60 Hz		2,2/0,5	12500/6250	97/25	23,2/11,6	55 °C		71,2/56,2	
	JAF-CI-450M-2/4-U-300/2-60 Hz						300 °C/2 h*			
	JAF-CI-450M-2/4-U-400/2-60 Hz						400 °C/2 h*			
	JAF-CI-450S-2/4-U-60 Hz	3,1/0,8	13300/6650	110/28	24,6/12,3	55 °C	74,3/59,2			
	JAF-CI-450S-2/4-U-300/2-60 Hz					300 °C/2 h*				
	JAF-CI-450S-2/4-U-400/2-60 Hz					400 °C/2 h*				
	Reversible	1	JAF-CI-450-2-R-60 Hz	1,5	9110	52	16,9	3460	55 °C	79,8
			JAF-CI-450-2-R-300/2-60 Hz						300 °C/2 h*	
			JAF-CI-450-2-R-450/2-60 Hz						400 °C/2 h*	
			JAF-CI-450M-2-R-60 Hz	2,2	11100	77	20,6		55 °C	77,3
			JAF-CI-450M-2-R-300/2-60 Hz						300 °C/2 h*	
			JAF-CI-450M-2-R-400/2-60 Hz						400 °C/2 h*	
JAF-CI-450S-2-R-60 Hz		3	12500	97	23,1	55 °C	75,9			
JAF-CI-450S-2-R-300/2-60 Hz						300 °C/2 h*				
JAF-CI-450S-2-R-400/2-60 Hz						400 °C/2 h*				
2		JAF-CI-450-2/4-R-60 Hz	1,5/0,37	9110/4555	52/13	16,9/8,45	3460/1730	55 °C	79,8/64,7	
		JAF-CI-450-2/4-R-300/2-60 Hz						300 °C/2 h*		
		JAF-CI-450-2/4-R-400/2-60 Hz						400 °C/2 h*		
	JAF-CI-450M-2/4-R-60 Hz	2,2/0,5	11100/5550	77/20	20,6/10,3	55 °C		77,3/62,3		
	JAF-CI-450M-2/4-R-300/2-60 Hz					300 °C/2 h*				
	JAF-CI-450M-2/4-R-400/2-60 Hz					400 °C/2 h*				
JAF-CI-450S-2/4-R-60 Hz	3,1/0,8	12500/6250	97/25	23,1/11,55	55 °C	75,9/60,9				
JAF-CI-450S-2/4-R-300/2-60 Hz					300 °C/2 h*					
JAF-CI-450S-2/4-R-400/2-60 Hz					400 °C/2 h*					
500	Unidirectional	JAF-CI-500-2/4-U-60 Hz	3,1/0,8	14100/7030	100/25	21,1/10,5	3460/1730	55 °C	78,2/63,1	
		JAF-CI-500-2/4-U-300/2-60 Hz						300 °C/2 h*		
		JAF-CI-500-2/4-U-400/2-60 Hz						400 °C/2 h*		
		JAF-CI-500M-2/4-U-60 Hz	4,4/1,1	17300/8630	149/38	25,8/12,9		55 °C	76,8/61,8	
		JAF-CI-500M-2/4-U-300/2-60 Hz						300 °C/2 h*		
		JAF-CI-500M-2/4-U-400/2-60 Hz						400 °C/2 h*		
	JAF-CI-500-2/4-R-60 Hz	3,1/0,8	14900/7460	111/28	22,3/11,2	55 °C	77/61,9			
	JAF-CI-500-2/4-R-300/2-60 Hz					300 °C/2 h*				
	JAF-CI-500-2/4-R-400/2-60 Hz					400 °C/2 h*				
	Reversible	JAF-CI-500M-2/4-R-60 Hz	4,4/1,1	16400/8160	134/34	24,5/12,3	3460/1730	55 °C	78,6/63,5	
		JAF-CI-500M-2/4-R-300/2-60 Hz						300 °C/2 h*		
		JAF-CI-500M-2/4-R-400/2-60 Hz						400 °C/2 h*		
JAF-CI-500M-2/4-R-60 Hz		4,4/1,1	15000/7500	113/28	22,5/11,2	55 °C		76,9/61,8		
JAF-CI-500M-2/4-R-300/2-60 Hz						300 °C/2 h*				
JAF-CI-500M-2/4-R-400/2-60 Hz						400 °C/2 h*				
560	Unidirectional	JAF-CI-560-2/4-U-60 Hz	4,4/1,1	19600/9790	157/40	23,9/12	3460/1730	55 °C	76,8/61,8	
		JAF-CI-560-2/4-U-300/2-60 Hz						300 °C/2 h*		
		JAF-CI-560-2/4-U-400/2-60 Hz						400 °C/2 h*		
		JAF-CI-560M-2/4-U-60 Hz	8/2	24500/12300	245/62	30/15		55 °C	78,4/63,4	
		JAF-CI-560M-2/4-U-300/2-60 Hz						300 °C/2 h*		
		JAF-CI-560M-2/4-U-400/2-60 Hz						400 °C/2 h*		
	JAF-CI-560-2/4-R-60 Hz	4,4/1,1	18100/9030	134/34	22,1/11	55 °C	82,4/67,3			
	JAF-CI-560-2/4-R-300/2-60 Hz					300 °C/2 h*				
	JAF-CI-560-2/4-R-400/2-60 Hz					400 °C/2 h*				
	JAF-CI-560M-2/4-R-60 Hz	6/1,5	20600/10300	174/44	25,2/12,6	55 °C	81,4/66,4			
	JAF-CI-560M-2/4-R-300/2-60 Hz					300 °C/2 h*				
	JAF-CI-560M-2/4-R-400/2-60 Hz					400 °C/2 h*				
Reversible	JAF-CI-560M-2/4-R-60 Hz	6/1,5	18500/9250	140/35	22,7/11,3	3530/1765	55 °C	81,1/66,1		
	JAF-CI-560M-2/4-R-300/2-60 Hz						300 °C/2 h*			
	JAF-CI-560M-2/4-R-400/2-60 Hz						400 °C/2 h*			

60 Hz

Ø, mm	Air flow direction	Number of speeds	Model	Power, kW	Max. air capacity, m ³ /h	Fan pull, N	Air speed, m/s	RPM	Operating temperature, °C	Sound pressure LpA, dB in 3 m
630	Unidirectional	2	JAF-CI-630-2/4-U-60 Hz	12/3	31700/15800	324/81	30,6/15,3	3530/1765	55 °C	83,2/68,2
			JAF-CI-630-2/4-U-300/2-60 Hz		30600/15300	301/75	29,5/14,7		300 °C/2 h*	81,6/66,6
			JAF-CI-630-2/4-U-400/2-60 Hz						400 °C/2 h*	
			JAF-CI-630M-2/4-U-60 Hz	16/4	36500/18200	429/107	35,2/17,6		55 °C	82,7/67,6
			JAF-CI-630M-2/4-U-300/2-60 Hz		35000/17500	395/99	33,8/16,9		300 °C/2 h*	81,1/66
			JAF-CI-630M-2/4-U-400/2-60 Hz						400 °C/2 h*	
	JAF-CI-630-2/4-R-60 Hz	12/3	30600/15300	302/76	29,6/14,8	55 °C	85,7/70,6			
	JAF-CI-630-2/4-R-300/2-60 Hz		29400/14700	279/70	28,4/14,2	300 °C/2 h*	84,1/69			
	JAF-CI-630-2/4-R-400/2-60 Hz					400 °C/2 h*				
	JAF-CI-630M-2/4-R-60 Hz	16/4	32400/16200	339/85	31,3/15,7	55 °C	86,4/71,4			
	JAF-CI-630M-2/4-R-300/2-60 Hz		30800/15400	305/76	29,7/14,8	300 °C/2 h*	85,7/70,6			
	JAF-CI-630M-2/4-R-400/2-60 Hz					400 °C/2 h*				

*Smoke extraction mode: once for two hours