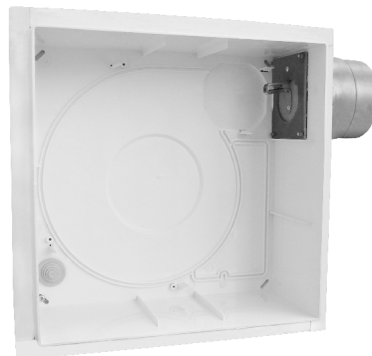


# KP 80

**User's manual**

**Fireproof casing  
KP 80**

**30637114-1.6 PS**



**INTRODUCTION**

This User's manual is combined with a technical description and instructions for mounting a KP 80 fireproof casing, which is used with a VENTS VNV-1 80 electric fan.

**PURPOSE**

The KP 80 fireproof casing for the VENTS VNV-1 80 fan, hereinafter referred to as "KP 80", is designed to protect the premises from penetration of fire and combustion products through air ducts in the event of a fire and is installed in kitchens, bathrooms and toilets. The KP 80 external view, its overall and connecting dimensions are shown in Fig. 1. The bill of components is shown in Fig. 2.

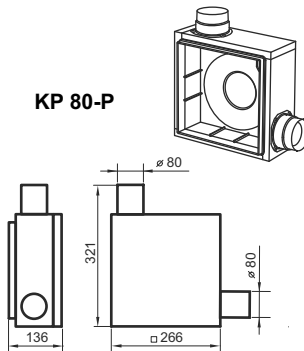
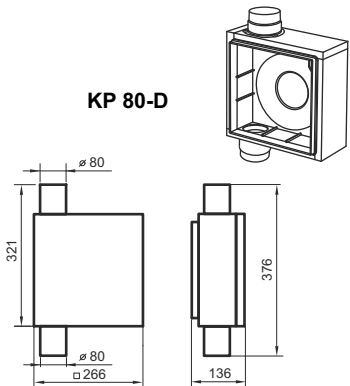
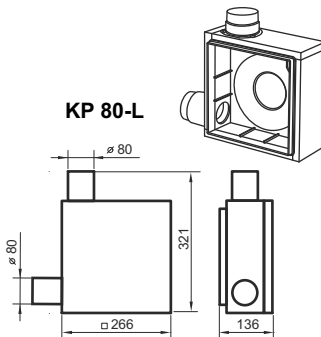
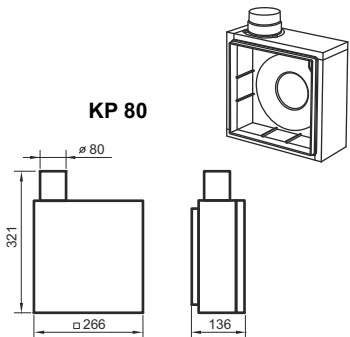
The product consists of a plastic casing 1 lined with fire-resisting boards 2, a metal spigot 8 with a diameter of 80 mm and fire retardant spring-loaded backdraft damper parts.

The inner part of the casing is covered with a protective cardboard plate 9, which can be removed before installing the VENTS VNV-1 80 fan.

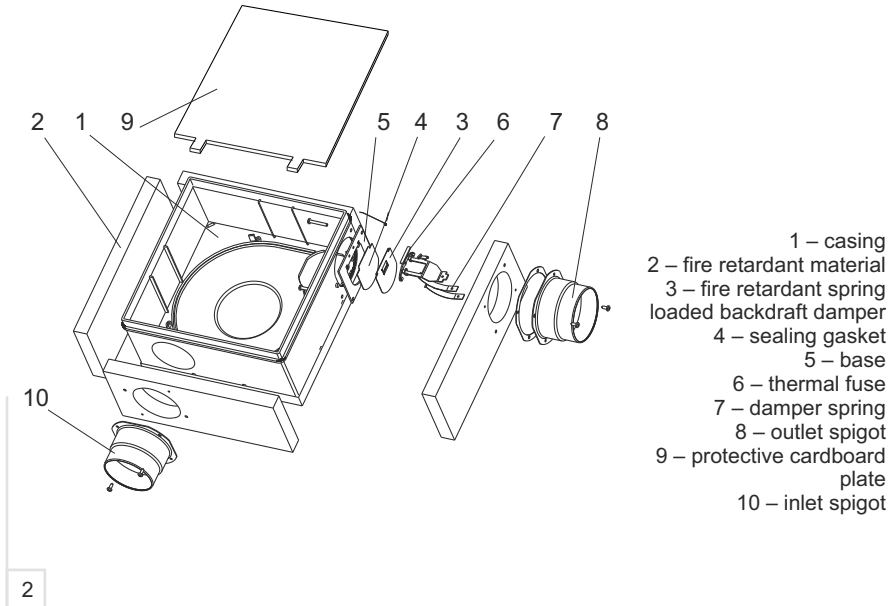
The bill of components is shown in Fig. 2.

**DELIVERY SET**

- KP 80 fireproof casing	- 1 pc.;	- mounting holder	- 2 pc.;
- protective cardboard plate	- 1 pc.;	- universal screw 3.5x16	- 4 pc.;
- screw 3.5x40mm	- 2 pc.;	- user's manual	- 1 pc.;
- nylon dowel 6x50	- 2 pc.;	- packing box	- 1 pc.

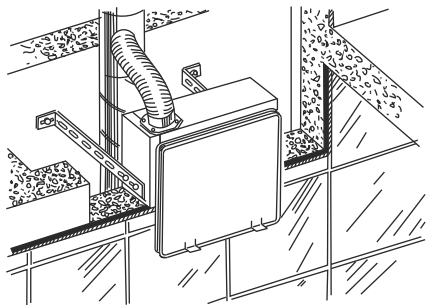


**OVERALL  
PRODUCT  
APPEARANCE**

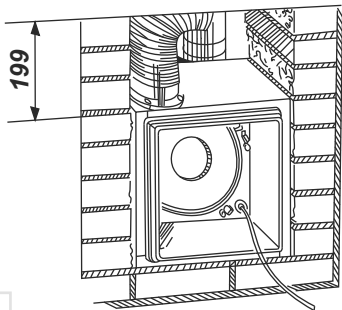
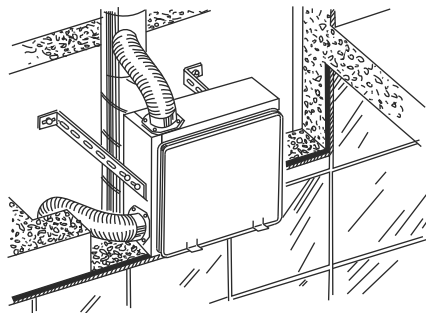
**WARNING!**

Save the protective cardboard plate 9 (Fig. 2) removed from the KP 80 casing before mounting for reinstallation into the casing after mounting.

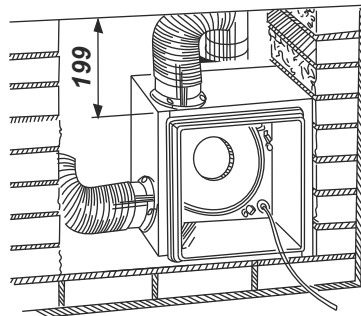
A 12.5 mm thick, 266x266 mm gypsum plasterboard is installed on the rear surface of the casing on top of the fireproof board.



3



4



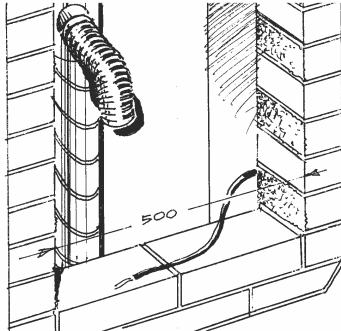
**MOUNTING  
KP 80**

The installation of the KP 80 casing in the wall is carried out in the following sequence:

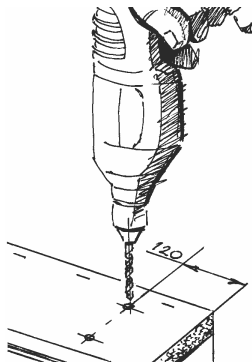
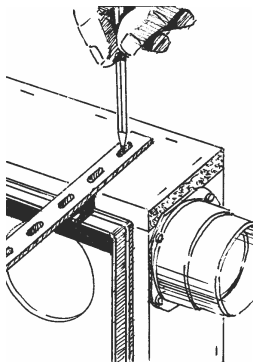
1. Prepare a niche in the wall and connect the connecting air duct to the spigot of the collecting air duct (Fig. 5).  
Pull the power cable at least 270 mm out of the niche.  
Insulate the bare ends of the cable wires.

**WARNING!**

For a collecting air duct, use a rectangular steel pipe or a spirally wound air duct “**SPIROVENT**”, which is installed in the shaft well.  
Use flexible air ducts “**ALUVENT**” or “**TERMOVENT**” for the connecting air duct.  
Specified diameter of the connecting air duct is 80 mm.  
Fix the flexible duct to the spigot of the collection duct using a clamp.

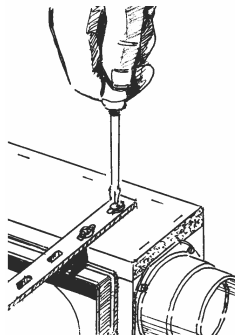


2. In case of installation on holders, mark and drill holes on the KP 80 casing for attaching the mounting holders (Fig. 6).



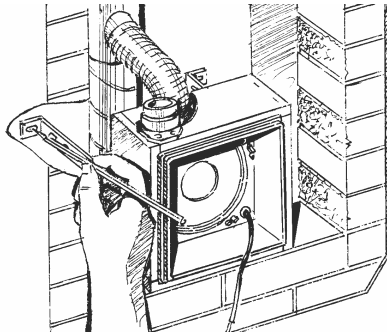
6

3. Fasten the mounting holders to the casing using universal screws 3.5x16 (Fig. 7).



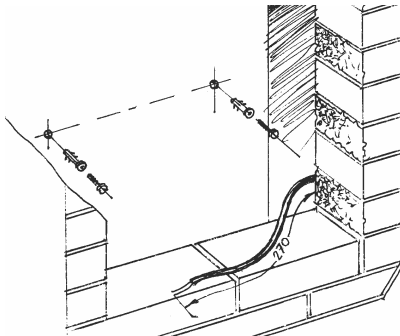
7

4. Mark the holes in the wall of the niche for attaching the mounting holders (Fig. 8).



8

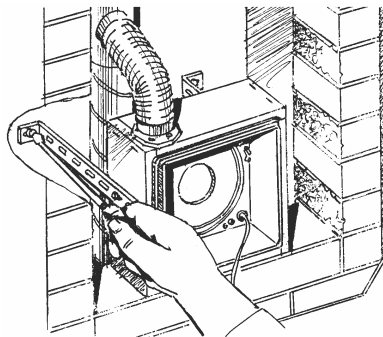
5. Drill holes according to the marking and insert dowels into them (Fig. 9).



9



6. Mount the casing using 3.5x40 screws (Fig. 10).



10

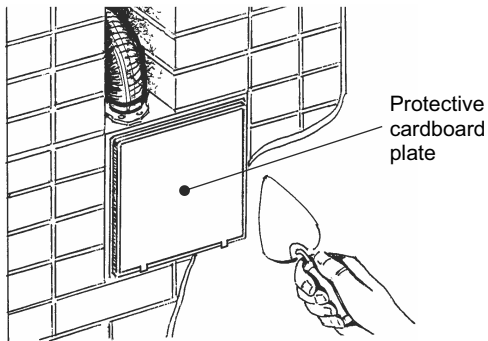
- Before installing the KP 80 casing, make sure that the backdraft damper is closed by spring action when there is no air flow.
- Pull the electric wire through the hole in the rear part of the KP 80 casing (the length of the protruding section of the wire must be at least 250 mm).
- Fix the mounting holders on the wall with screws.
- Put a flexible air duct on the KP 80 spigot and fix it with a clamp.
- Install the KP 80 casing in a building opening using cement mortar.

If the connecting air duct is installed in a brick wall, it must be wrapped with PVC adhesive tape to protect it from the effects of cement mortar corrosion.



**WARNING!**

7. After installing the KP 80 casing, it is necessary to cover it with a protective cardboard plate to prevent damage or contamination of the casing during finishing work in the room, fill the free space of the niche with brickwork and cement mortar and complete the finishing work (Fig. 11).



The KP 80 fireproof casing, which is used in conjunction with a VNV-1 80 domestic electric fan is certified.

**CERTIFICATION  
COMPLIANCE**

The manufacturer hereby warrants normal operation of the KP 80 fireproof casing when assembled with the VNV-1 80 domestic electric fan for 24 months after the retail sale date provided the user's observance of the transportation, storage, installation, and operation regulations.

**MANUFACTURER'S  
WARRANTY**

The KP 80 fireproof casing is recognized as serviceable.

**CERTIFICATE  
OF ACCEPTANCE**

Quality Inspector's Stamp

Manufacture Date

Seller  
Name of retail company, stamp of the shop

Purchase Date

**INSTALLATION  
MARK**

The KP 80 fireproof casing is installed by the expert:

Expert's Full Name. \_\_\_\_\_

Date: \_\_\_\_\_ Signature: \_\_\_\_\_

\_\_\_\_\_  
\_\_\_\_\_  
\_\_\_\_\_  
\_\_\_\_\_

**WARRANTY  
CARD**

\_\_\_\_\_  
\_\_\_\_\_  
\_\_\_\_\_  
\_\_\_\_\_  
\_\_\_\_\_  
\_\_\_\_\_  
\_\_\_\_\_  
\_\_\_\_\_  
\_\_\_\_\_  
\_\_\_\_\_  
\_\_\_\_\_