

PLASTIVENT

NEW PRODUCTS OF THE PLASTIVENT SYSTEM
FOR FLAT AND ROUND AIR DUCTS

CONTENTS

New products for flat air duct system	page 4
90° connecting bends for flat to round ducts	page 6
New products for round air duct system	page 8

FLAT AIR DUCT



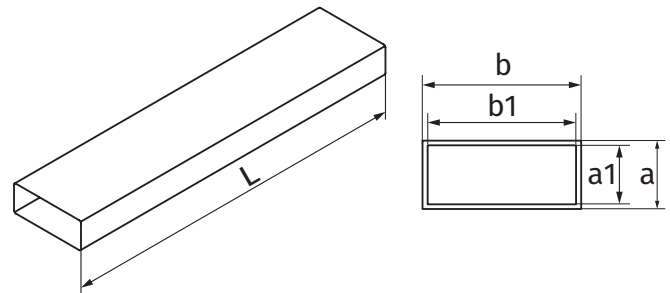
APPLICATION

- Supply and exhaust ventilation of various premises.
- Formation of flat air ductworks.

DESIGN

- Made of white PVC.
- Size: 220x55 mm.
- Duct length from 350 to 2500 mm.
- Connected with matching connectors.

Code	Dimensions [mm]				
	a	b	a1	b1	L
60035	55	220	52	217	350
6005	55	220	52	217	500
6010	55	220	52	217	1000
6015	55	220	52	217	1500
6020	55	220	52	217	2000
6025	55	220	52	217	2500



FLAT DUCT CONNECTOR



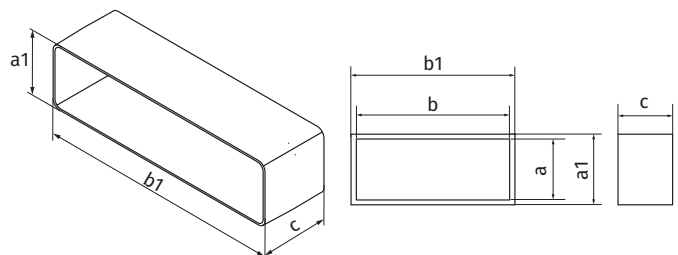
APPLICATION

- Supply and exhaust ventilation of various premises.
- Connection of same sized flat ducts.

DESIGN

- Made of white plastic.
- Direct connection with air ducts. Equipped with a lock ring for easy jointing.
- Connecting sizes: 220x55 mm.

Code	Dimensions [mm]				
	a	b	a1	b1	c
616	55	220	60	225	62



VERTICAL 90° BEND FOR FLAT DUCTS



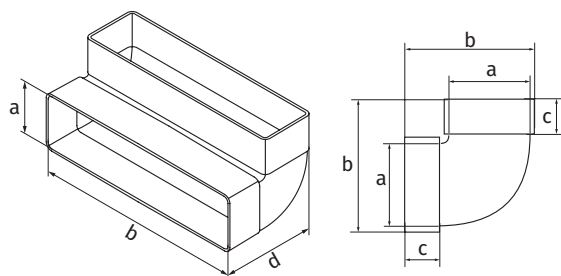
APPLICATION

- Supply and exhaust ventilation of various premises.
- Connection of same sized flat ducts at 90° vertically.

DESIGN

- Made of white plastic.
- Connecting sizes: 220x55 mm.

Code	Dimensions [mm]			
	a	b	c	d
6262	55	220	38	95



HORIZONTAL 90° BEND FOR FLAT DUCTS



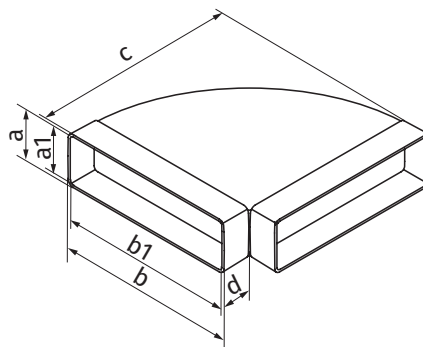
APPLICATION

- Supply and exhaust ventilation of various premises.
- Connection of same sized flat ducts at 90° horizontally.

DESIGN

- Made of white plastic.
- Connecting sizes: 220x55 mm.

Code	Dimensions [mm]					
	a	a1	b	b1	c	d
6261	61	57	227	222	262	36



FLAT DUCT HOLDER

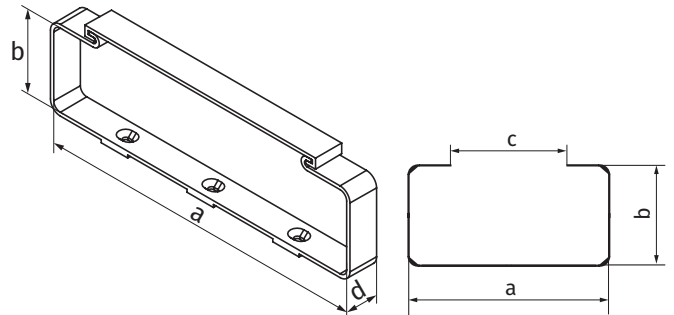


APPLICATION

- Supply and exhaust ventilation of various premises.
- Mounting of flat ducts to wall, ceiling or any other plane surface.

DESIGN

- Made of white plastic.
- Fixation to plane surface with screws.
- Specially designed configuration provides reliable fixation of the duct with the holder and quick disassembling.



Code	Dimensions [mm]			
	a	b	c	d
66	227	67	144	20

90° CONNECTING BEND FOR FLAT AND ROUND RIGID DUCTS



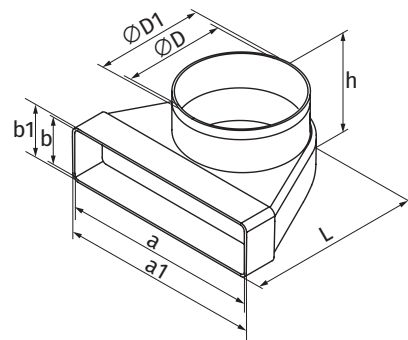
APPLICATION

- Supply and exhaust ventilation of various premises.
- Connection of flat to round rigid ducts at 90°.

DESIGN

- Made of white plastic.
- Connecting dimensions: 220x55-100, 220x55-125 mm.

Code	Dimensions [mm]							
	a	a1	D	D1	b	b1	h	L
621	220	226	96	99	55	60	88	175
622	220	226	121	124	55	60	88	175



90° CONNECTING BEND FOR FLAT AND ROUND FLEXIBLE DUCTS

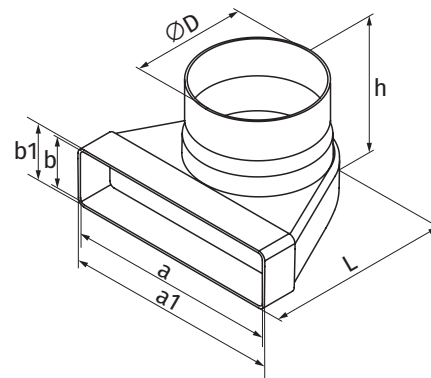


APPLICATION

- Supply and exhaust ventilation of various premises.
- Connection of rigid flat to round flexible ducts at 90°.

DESIGN

- Made of white plastic.
- Connecting dimensions: 220x55-100, 220x55-125 mm.



Code	Dimensions [mm]						
	a	a1	D	b	b1	h	L
621-1	220	226	100	55	60	134	175
622-2	220	226	125	55	60	134	175

END GRILLE



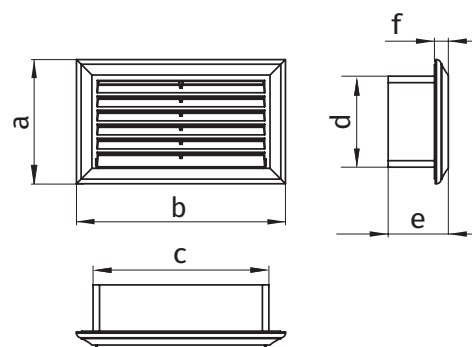
APPLICATION

- Decoration of supply or exhaust vents of public, residential and industrial ventilation systems.
- Correct air flow distribution in premises.
- Wall or ceiling mounting.

DESIGN

- Made of white plastic.
- Detachable front part facilitates cleaning.
- Modification with an insect screen (s) is available.
- Connecting dimensions: 220x55 mm.

Code	Dimensions [mm]					
	a	b	c	d	e	f
671	93	232	224	59	76	9



ROUND TO FLAT CONNECTOR (ASYMMETRIC)

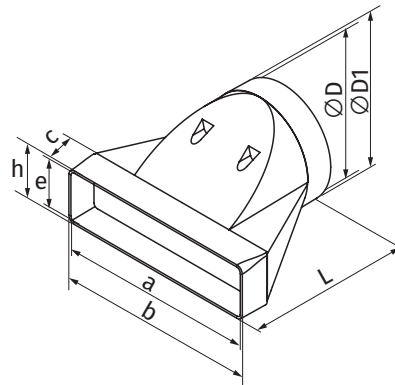


APPLICATION

- Supply and exhaust ventilation of various premises.
- Connection of round to flat ducts.

DESIGN

- Made of white plastic.
- Connecting ducts: 220x55-125 mm.



Code	Dimensions [mm]								
	a	e	c	D	D1	b	h	L	H
612	220	55	30	121	124	226	60	165	129

NEW PRODUCTS FOR ROUND AIR DUCT SYSTEM

FLEXIBLE ROUND DUCT CONNECTOR



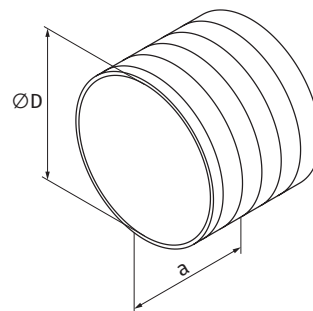
APPLICATION

- Supply and exhaust ventilation of various premises.
- Connection of flexible round ducts.

DESIGN

- Made of white PVC.
- Cover the connector with air duct and fix it with clamps.
- Connecting diameters: 100, 125 mm.

Code	Dimensions [mm]	
	D	a
1113N	100	77
2123N	125	77



REDUCER 110/100 mm



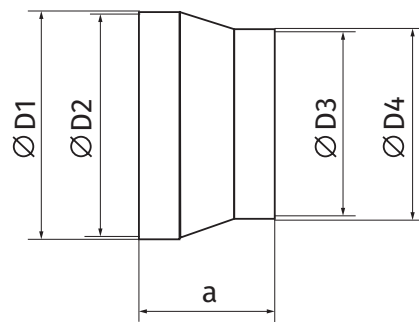
APPLICATION

- Supply and exhaust ventilation of various premises.
- Connection of Ø 100 and 110 mm air ducts.

DESIGN

- Made of white plastic.
- Connecting diameters: 100, 110 mm.

Code	Dimensions [mm]				
	a	D1	D2	D3	D4
110-11	42	113	110	96	100



ROUND DUCT CONNECTOR WITH CONDENSATION TRAP



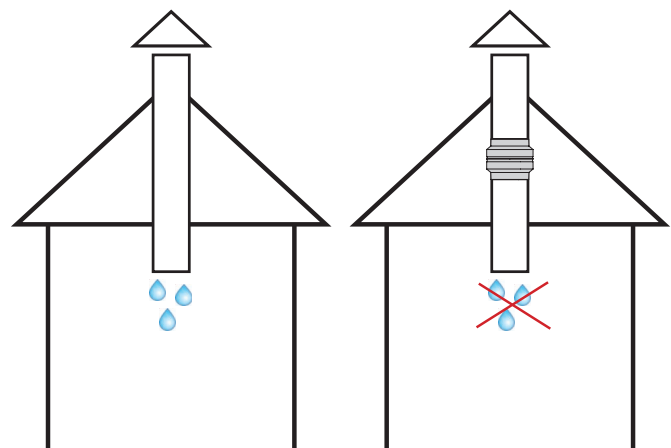
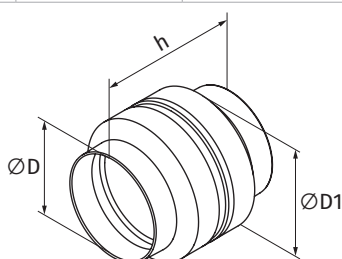
APPLICATION

- Supply and exhaust ventilation of various premises.
- Connection of various diameter air ducts.
- Prevents small amounts of condensate from dripping down the air duct.

DESIGN

- Made of white plastic.
- Connecting diameters: 100, 125, 150 mm.

Code	Dimensions [mm]		
	h	D	D1
1119	136	100	129
2129	136	125	154
3139	153	150	209



PLASTIVENT

NEW PRODUCTS OF THE PLASTIVENT SYSTEM
FOR FLAT AND ROUND AIR DUCTS



VENTS reserves the rights to modify any of its products' features, designs, components and specifications at any time and without notice to maintain the development and quality of manufactured goods.

09/2020

