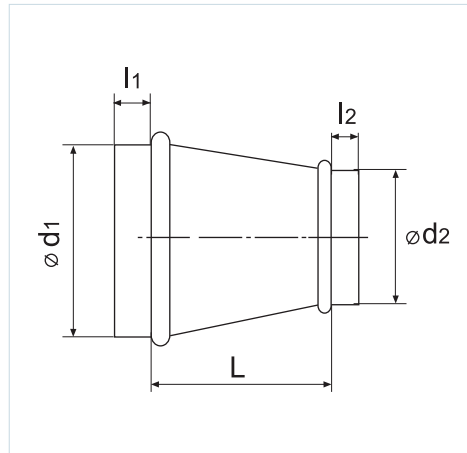


## Reducer



| Type            | d1, mm | d2, mm | l1, mm | l2, mm | L, mm | p, mm |
|-----------------|--------|--------|--------|--------|-------|-------|
| Reducer 140/125 | 140    | 125    | 50     | 50     | 51    | 0.50  |
| Reducer 150/125 | 150    | 125    | 50     | 50     | 64    | 0.50  |
| Reducer 160/125 |        | 125    | 50     | 50     | 78    | 0.50  |
| Reducer 160/140 | 160    | 140    | 50     | 50     | 57    | 0.50  |
| Reducer 160/150 |        | 150    | 50     | 50     | 44    | 0.50  |
| Reducer 200/125 | 200    | 125    | 50     | 50     | 133   | 0.50  |
| Reducer 200/140 |        | 140    | 50     | 50     | 112   | 0.50  |
| Reducer 200/150 |        | 150    | 50     | 50     | 99    | 0.50  |
| Reducer 200/160 |        | 160    | 50     | 50     | 85    | 0.50  |
| Reducer 224/125 | 224    | 125    | 50     | 50     | 166   | 0.50  |
| Reducer 224/150 |        | 150    | 50     | 50     | 132   | 0.50  |
| Reducer 224/160 |        | 160    | 50     | 50     | 118   | 0.50  |
| Reducer 224/200 |        | 200    | 50     | 50     | 63    | 0.50  |
| Reducer 250/125 | 250    | 125    | 50     | 50     | 202   | 0.50  |
| Reducer 250/140 |        | 140    | 50     | 50     | 181   | 0.50  |
| Reducer 250/150 |        | 150    | 50     | 50     | 167   | 0.50  |
| Reducer 250/160 |        | 160    | 50     | 50     | 154   | 0.50  |
| Reducer 250/200 |        | 200    | 50     | 50     | 99    | 0.50  |
| Reducer 250/224 |        | 224    | 50     | 50     | 66    | 0.50  |
| Reducer 280/125 | 280    | 125    | 50     | 50     | 243   | 0.50  |
| Reducer 280/160 |        | 160    | 50     | 50     | 195   | 0.50  |
| Reducer 280/200 |        | 200    | 50     | 50     | 140   | 0.50  |
| Reducer 280/250 |        | 250    | 50     | 50     | 71    | 0.50  |
| Reducer 315/125 | 315    | 125    | 50     | 50     | 291   | 0.50  |
| Reducer 315/140 |        | 140    | 50     | 50     | 270   | 0.50  |
| Reducer 315/150 |        | 150    | 50     | 50     | 257   | 0.50  |
| Reducer 315/160 |        | 160    | 50     | 50     | 243   | 0.50  |
| Reducer 315/200 |        | 200    | 50     | 50     | 188   | 0.50  |
| Reducer 315/224 |        | 224    | 50     | 50     | 155   | 0.50  |
| Reducer 315/250 |        | 250    | 50     | 50     | 119   | 0.50  |
| Reducer 315/280 |        | 280    | 50     | 50     | 78    | 0.50  |

## REDUCER

| Type            | d1, mm | d2, mm | l1, mm | l2, mm | L, mm | p, mm |
|-----------------|--------|--------|--------|--------|-------|-------|
| Reducer 355/125 | 355    | 125    | 60     | 50     | 708   | 0.50  |
| Reducer 355/150 |        | 150    | 60     | 50     | 315   | 0.50  |
| Reducer 355/160 |        | 160    | 60     | 50     | 298   | 0.50  |
| Reducer 355/200 |        | 200    | 60     | 50     | 243   | 0.50  |
| Reducer 355/224 |        | 224    | 60     | 50     | 210   | 0.50  |
| Reducer 355/250 |        | 250    | 60     | 50     | 174   | 0.50  |
| Reducer 355/280 |        | 280    | 60     | 50     | 133   | 0.50  |
| Reducer 355/315 |        | 315    | 60     | 50     | 85    | 0.50  |
| Reducer 400/125 |        | 400    | 125    | 60     | 50    | 424   |
| Reducer 400/150 | 150    |        | 60     | 50     | 385   | 0.7   |
| Reducer 400/160 | 160    |        | 60     | 50     | 365   | 0.7   |
| Reducer 400/200 | 200    |        | 60     | 50     | 310   | 0.7   |
| Reducer 400/224 | 224    |        | 60     | 50     | 277   | 0.7   |
| Reducer 400/250 | 250    |        | 60     | 50     | 241   | 0.7   |
| Reducer 400/280 | 280    |        | 60     | 50     | 200   | 0.7   |
| Reducer 400/315 | 315    |        | 60     | 50     | 152   | 0.7   |
| Reducer 400/355 | 355    |        | 60     | 60     | 97    | 0.7   |
| Reducer 450/150 | 450    | 150    | 60     | 50     | 462   | 0.7   |
| Reducer 450/160 |        | 160    | 60     | 50     | 446   | 0.7   |
| Reducer 450/200 |        | 200    | 60     | 50     | 378   | 0.7   |
| Reducer 450/224 |        | 224    | 60     | 50     | 346   | 0.7   |
| Reducer 450/250 |        | 250    | 60     | 50     | 310   | 0.7   |
| Reducer 450/280 |        | 280    | 60     | 50     | 269   | 0.7   |
| Reducer 450/315 |        | 315    | 60     | 50     | 221   | 0.7   |
| Reducer 450/355 |        | 355    | 60     | 60     | 166   | 0.7   |
| Reducer 450/400 |        | 400    | 60     | 60     | 109   | 0.7   |
| Reducer 500/200 | 500    | 200    | 80     | 50     | 447   | 0.7   |
| Reducer 500/224 |        | 224    | 80     | 50     | 414   | 0.7   |
| Reducer 500/250 |        | 250    | 80     | 50     | 378   | 0.7   |
| Reducer 500/280 |        | 280    | 80     | 50     | 337   | 0.7   |
| Reducer 500/315 |        | 315    | 80     | 50     | 289   | 0.7   |
| Reducer 500/355 |        | 355    | 80     | 60     | 234   | 0.7   |
| Reducer 500/400 |        | 400    | 80     | 60     | 177   | 0.7   |
| Reducer 500/450 |        | 450    | 80     | 60     | 109   | 0.7   |
| Reducer 560/200 |        | 560    | 200    | 80     | 50    | 554   |
| Reducer 560/224 | 224    |        | 80     | 50     | 517   | 0.7   |
| Reducer 560/250 | 250    |        | 80     | 50     | 461   | 0.7   |
| Reducer 560/280 | 280    |        | 80     | 50     | 420   | 0.7   |
| Reducer 560/315 | 315    |        | 80     | 50     | 371   | 0.7   |
| Reducer 560/355 | 355    |        | 80     | 60     | 317   | 0.7   |
| Reducer 560/400 | 400    |        | 80     | 60     | 260   | 0.7   |
| Reducer 560/450 | 450    |        | 80     | 60     | 191   | 0.7   |
| Reducer 500/560 | 500    |        | 80     | 80     | 122   | 0.7   |
| Reducer 600/250 | 600    | 250    | 80     | 50     | 516   | 0.7   |
| Reducer 600/280 |        | 280    | 80     | 50     | 475   | 0.7   |
| Reducer 600/315 |        | 315    | 80     | 50     | 427   | 0.7   |
| Reducer 600/355 |        | 355    | 80     | 60     | 372   | 0.7   |
| Reducer 600/400 |        | 400    | 80     | 60     | 315   | 0.7   |

## REDUCER

| Type              | d1, mm | d2, mm | l1, mm | l2, mm | L, mm | p, mm |
|-------------------|--------|--------|--------|--------|-------|-------|
| Reducer 600/450   | 600    | 450    | 80     | 60     | 246   | 0.7   |
| Reducer 600/500   |        | 500    | 80     | 80     | 177   | 0.7   |
| Reducer 600/560   |        | 560    | 80     | 80     | 95    | 0.7   |
| Reducer 630/250   | 630    | 250    | 80     | 50     | 557   | 0.7   |
| Reducer 630/280   |        | 280    | 80     | 50     | 516   | 0.7   |
| Reducer 630/315   |        | 315    | 80     | 50     | 468   | 0.7   |
| Reducer 630/355   |        | 355    | 80     | 60     | 413   | 0.7   |
| Reducer 630/400   |        | 400    | 80     | 60     | 356   | 0.7   |
| Reducer 630/450   |        | 450    | 80     | 60     | 287   | 0.7   |
| Reducer 630/500   |        | 500    | 80     | 80     | 219   | 0.7   |
| Reducer 630/560   |        | 560    | 80     | 80     | 136   | 0.7   |
| Reducer 630/600   |        | 600    | 80     | 80     | 81    | 0.7   |
| Reducer 710/315   |        | 710    | 315    | 80     | 50    | 608   |
| Reducer 710/355   | 355    |        | 80     | 60     | 528   | 0.7   |
| Reducer 710/400   | 400    |        | 80     | 60     | 471   | 0.7   |
| Reducer 710/450   | 450    |        | 80     | 60     | 402   | 0.7   |
| Reducer 710/500   | 500    |        | 80     | 80     | 333   | 0.7   |
| Reducer 710/560   | 560    |        | 80     | 80     | 251   | 0.7   |
| Reducer 710/600   | 600    |        | 80     | 80     | 196   | 0.7   |
| Reducer 710/630   | 630    |        | 80     | 80     | 155   | 0.7   |
| Reducer 800/400   | 800    | 400    | 80     | 60     | 594   | 0.7   |
| Reducer 800/450   |        | 450    | 80     | 60     | 526   | 0.7   |
| Reducer 800/500   |        | 500    | 80     | 80     | 457   | 0.7   |
| Reducer 800/560   |        | 560    | 80     | 80     | 375   | 0.7   |
| Reducer 800/600   |        | 600    | 80     | 80     | 320   | 0.7   |
| Reducer 800/630   |        | 630    | 80     | 80     | 279   | 0.7   |
| Reducer 800/710   |        | 710    | 80     | 80     | 174   | 0.7   |
| Reducer 900/450   | 900    | 450    | 100    | 60     | 663   | 1     |
| Reducer 900/500   |        | 500    | 100    | 80     | 594   | 1     |
| Reducer 900/560   |        | 560    | 100    | 80     | 512   | 1     |
| Reducer 900/600   |        | 600    | 100    | 80     | 457   | 1     |
| Reducer 900/630   |        | 630    | 100    | 80     | 416   | 1     |
| Reducer 900/710   |        | 710    | 100    | 80     | 311   | 1     |
| Reducer 900/800   |        | 800    | 100    | 80     | 187   | 1     |
| Reducer 1000/500  | 1000   | 500    | 100    | 80     | 732   | 1     |
| Reducer 1000/560  |        | 560    | 100    | 80     | 649   | 1     |
| Reducer 1000/600  |        | 600    | 100    | 80     | 594   | 1     |
| Reducer 1000/630  |        | 630    | 100    | 80     | 553   | 1     |
| Reducer 1000/710  |        | 710    | 100    | 80     | 448   | 1     |
| Reducer 1000/800  |        | 800    | 100    | 80     | 490   | 1     |
| Reducer 1000/900  |        | 900    | 100    | 100    | 352   | 1     |
| Reducer 1120/1000 | 1120   | 1000   | 100    | 100    | 215   | 1     |
| Reducer 1250/630  | 1250   | 630    | 100    | 80     | 897   | 1     |
| Reducer 1250/710  |        | 710    | 100    | 80     | 792   | 1     |
| Reducer 1250/800  |        | 800    | 100    | 80     | 668   | 1     |
| Reducer 1250/900  |        | 900    | 100    | 100    | 531   | 1     |
| Reducer 1250/1000 |        | 1000   | 100    | 100    | 393   | 1     |
| Reducer 1250/1120 |        | 1120   | 100    | 100    | 229   | 1     |