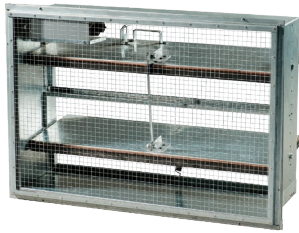


RZ protective grille



The KPD/KPDU smoke exhaust dampers and the KP-1, KP-2 wall-mounted fire-resisting dampers (1 flange) can be additionally equipped with a protective grille.

The protective grille serves for protection against unauthorized access to the damper and its actuating mechanism.

The grille is only made from galvanized steel.

The grille is attached directly to the damper flange by means of self-tapping screws.

Designation key

RZ X protective grille

Effective damper cross-section:

BxH (B – width [mm]; H – height [mm])

Damper flow area width [mm]

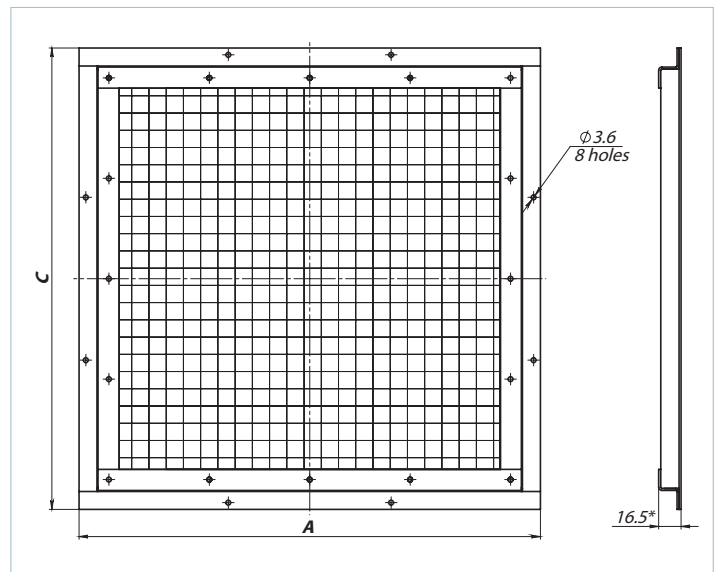
300; 350; 400; 450; 500; 550; 600; 650; 700; 750; 800; 850; 900; 950; 1000

Damper flow area height [mm]

300; 350; 400; 450; 500; 550; 600; 650; 700; 750; 800; 850; 900; 950; 1000

Overall dimensions

Name	A [mm]	C [mm]	Cross-sectional area [m ²]	Weight [kg]
RZ 300x300	340	340	0.072	0.75
RZ 350x300	390	340	0.090	0.86
RZ 350x350	390	390	0.103	0.91
RZ 400x300	440	340	0.103	0.91
RZ 400x350	440	390	0.120	0.94
RZ 400x400	440	440	0.141	0.99
RZ 450x300	490	340	0.120	0.94
RZ 450x350	490	390	0.141	0.99
RZ 450x400	490	440	0.159	1.02
RZ 450x450	490	490	0.178	1.12
RZ 500x300	540	340	0.141	0.99
RZ 500x350	540	390	0.159	1.02
RZ 500x400	540	440	0.178	1.12
RZ 500x450	540	490	0.190	1.20
RZ 500x500	540	540	0.210	1.22
RZ 550x300	610	360	0.159	1.02
RZ 550x350	610	410	0.178	1.12
RZ 550x400	610	460	0.190	1.20
RZ 550x450	610	510	0.210	1.22
RZ 550x500	610	560	0.269	1.30
RZ 550x550	610	610	0.293	1.37
RZ 600x300	660	360	0.178	1.12
RZ 600x350	660	410	0.190	1.20
RZ 600x400	660	460	0.210	1.22
RZ 600x450	660	510	0.269	1.30
RZ 600x500	660	560	0.293	1.37
RZ 600x550	660	610	0.305	1.42
RZ 600x600	660	660	0.321	1.45
RZ 650x300	710	360	0.190	1.30
RZ 650x350	710	410	0.210	1.22
RZ 650x400	710	460	0.269	1.30
RZ 650x450	710	510	0.293	1.37
RZ 650x500	710	560	0.305	1.42
RZ 650x550	710	610	0.321	1.45
RZ 650x600	710	660	0.340	1.48
RZ 650x650	710	710	0.392	1.51



Name	A [mm]	C [mm]	Cross-sectional area [m ²]	Weight [kg]
RZ 700x300	760	360	0.210	1.22
RZ 700x350	760	410	0.269	1.30
RZ 700x400	760	460	0.293	1.37
RZ 700x450	760	510	0.305	1.42
RZ 700x500	760	560	0.321	1.45
RZ 700x550	760	610	0.340	1.48
RZ 700x600	760	660	0.392	1.51
RZ 700x650	760	710	0.411	1.56
RZ 700x700	760	760	0.446	1.59
RZ 750x300	810	360	0.269	1.30
RZ 750x350	810	410	0.293	1.37
RZ 750x400	810	460	0.305	1.42
RZ 750x450	810	510	0.321	1.45
RZ 750x500	810	560	0.340	1.48
RZ 750x550	810	610	0.392	1.51
RZ 750x600	810	660	0.411	1.56
RZ 750x650	810	710	0.446	1.59
RZ 750x700	810	760	0.495	1.65
RZ 750x750	810	810	0.507	1.70
RZ 800x300	860	360	0.293	1.37
RZ 800x350	860	410	0.305	1.42
RZ 800x400	860	460	0.321	1.45
RZ 800x450	860	510	0.340	1.48
RZ 800x500	860	560	0.392	1.51
RZ 800x550	860	610	0.411	1.56
RZ 800x600	860	660	0.446	1.59
RZ 800x650	860	710	0.495	1.65
RZ 800x700	860	760	0.507	1.70
RZ 800x750	860	810	0.582	1.74
RZ 800x800	860	860	0.614	1.78
RZ 850x300	910	360	0.305	1.46
RZ 850x350	910	410	0.321	1.45
RZ 850x400	910	460	0.340	1.48
RZ 850x450	910	510	0.392	1.51
RZ 850x500	910	560	0.411	1.56
RZ 850x550	910	610	0.446	1.59
RZ 850x600	910	660	0.495	1.65
RZ 850x650	910	710	0.507	1.70
RZ 850x700	910	760	0.582	1.74
RZ 850x750	910	810	0.614	1.78
RZ 850x800	910	860	0.639	1.84
RZ 850x850	910	910	0.694	1.90
RZ 900x300	960	360	0.321	1.45
RZ 900x350	960	410	0.340	1.48
RZ 900x400	960	460	0.392	1.51
RZ 900x450	960	510	0.411	1.56
RZ 900x500	960	560	0.446	1.59
RZ 900x550	960	610	0.495	1.65
RZ 900x600	960	660	0.507	1.70
RZ 900x650	960	710	0.582	1.74
RZ 900x700	960	760	0.614	1.78
RZ 900x750	960	810	0.639	1.84
RZ 900x800	960	860	0.694	1.90
RZ 900x850	960	910	0.715	1.93
RZ 900x900	960	960	0.769	1.98
RZ 950x300	1010	360	0.340	1.48
RZ 950x350	1010	410	0.392	1.51
RZ 950x400	1010	460	0.411	1.56

Name	A [mm]	C [mm]	Cross-sectional area [m ²]	Weight [kg]
RZ 950x450	1010	510	0.446	1.59
RZ 950x500	1010	560	0.495	1.65
RZ 950x550	1010	610	0.507	1.70
RZ 950x600	1010	660	0.582	1.74
RZ 950x650	1010	710	0.614	1.78
RZ 950x700	1010	760	0.639	1.84
RZ 950x750	1010	810	0.694	1.90
RZ 950x800	1010	860	0.715	1.93
RZ 950x850	1010	910	0.769	1.98
RZ 950x900	1010	960	0.811	2.05
RZ 950x950	1010	1010	0.874	2.10
RZ 1000x300	1060	360	0.392	1.51
RZ 1000x350	1060	410	0.411	1.56
RZ 1000x400	1060	460	0.446	1.59
RZ 1000x450	1060	510	0.495	1.65
RZ 1000x500	1060	560	0.507	1.70
RZ 1000x550	1060	610	0.582	1.74
RZ 1000x600	1060	660	0.614	1.78
RZ 1000x650	1060	710	0.639	1.84
RZ 1000x700	1060	760	0.694	1.90
RZ 1000x750	1060	810	0.715	1.93
RZ 1000x800	1060	860	0.769	1.98
RZ 1000x850	1060	910	0.811	2.05
RZ 1000x900	1060	960	0.874	2.10
RZ 1000x950	1060	1010	0.913	2.17
RZ 1000x1000	1060	1060	0.945	2.21

The KP-1, KP-2 fire-resisting duct dampers (2 flanges) for completing with an RZ grille can be ordered separately.