

Series  
**VENTS OV EC**



Series  
**VENTS OVK EC**



Low pressure axial fans in the steel casing with the air flow up to **8500 m<sup>3</sup>/h** for wall and duct mounting

■ **Applications**

Combined supply and exhaust ventilation systems for various premises where high air flow at relatively low system resistance is required. OV EC and OVK EC fans can be used for the direct air exhaust or pressurization in smoke ventilation systems. OV EC and OVK EC fan are suitable for outdoor wall mounting.

■ **Design**

The fan casing and the impeller are made of steel with polymeric coating. OV EC and OVK EC fan terminal box is equipped with a cable for remote connection.

■ **Motor**

The units are equipped with highly efficient electronically commutated EC motors. As of today, such motor type is the most advanced solution for energy saving. EC motors are featured by high performance and the best speed controllable range. Ball bearings in the motor provide long service life designed for at least 40000 hours. Motor protection rating IP55.

■ **Speed control**

The fan is controlled with the external control signal 0-10 V (air flow control as a function of temperature, pressure, smoke conditions and other parameters). Should the control value get changed, the EC motor adjusts its speed and the fan boosts as much air flow to the ventilation system as required.

■ **Mounting**

Fan is installed on the wall surface by means of a square (OV EC series) or round (OVK EC series) mounting plate. The fan is powered through the external remote terminal box. Power supply and installation shall be performed in compliance with the manual and wiring diagram on the terminal box.

**Designation key**

Series and modification	Dimension type	Motor
<b>VENTS OV:</b> square mounting plate <b>VENTS OVK:</b> round mounting plate	200; 250; 300; 350; 400; 450; 500	_: single-speed <b>S:</b> highpowered motor <b>EC:</b> electronically commutated synchronous motor

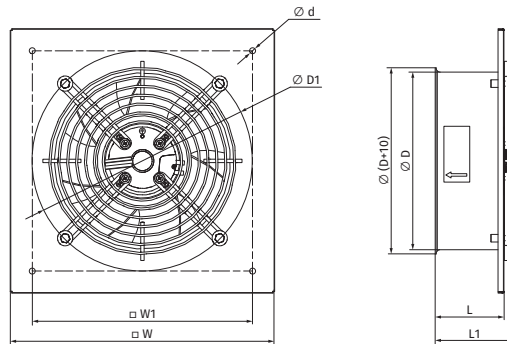
**Аксессуары**



Speed controller  
R-1/010

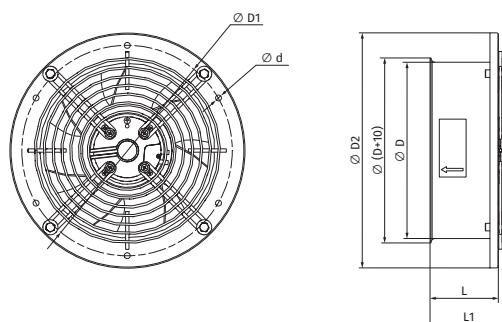
**Fan overall dimensions**

Type	Dimensions [mm]							Diameter installation hole [mm]	Mass [kg]
	∅D	∅D1	∅d1	L	L1	W	W1		
OV 200 EC	210	260	7	81	93	312	260	210	2.04
OV 200 S EC	210	260	7	81	93	312	260	210	2.04
OV 250 EC	262	325	7	81	93	370	320	260	2.54
OV 250 S EC	262	325	7	81	93	370	320	260	2.56
OV 300 EC	317	365	9	104	116	430	380	317	3.4
OV 300 S EC	317	365	9	104	116	430	380	317	3.51
OV 350 EC	374	420	9	97	157	485	435	374	4.77
OV 400 EC	416	468	9	97	157	540	490	416	5.65
OV 450 EC	470	520	11	176	294	576	535	465	7.05
OV 500 EC	520	568	11	180	294	655	615	520	8.31



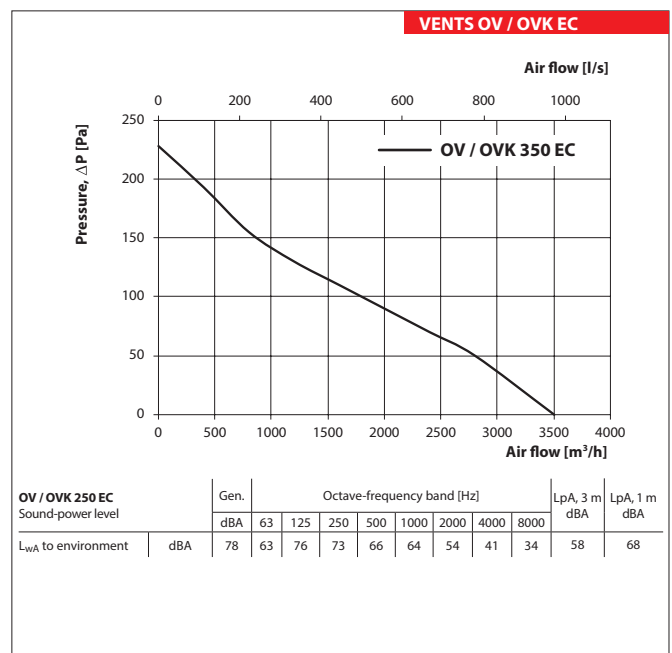
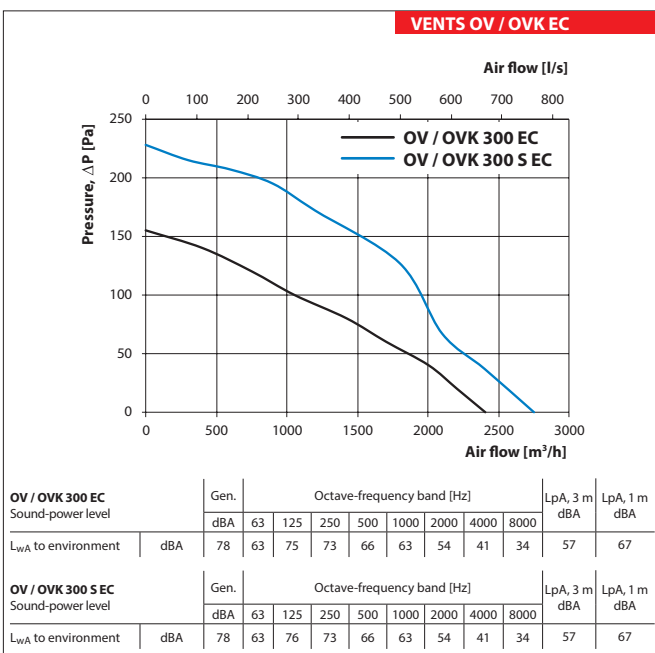
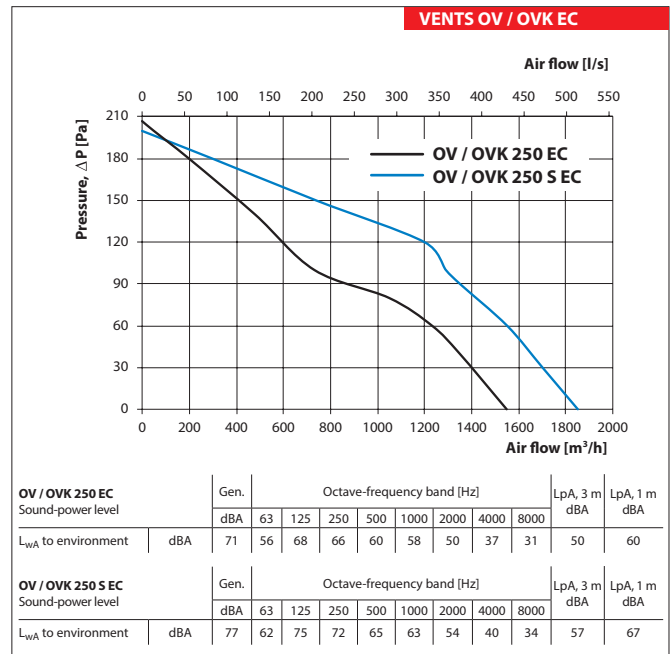
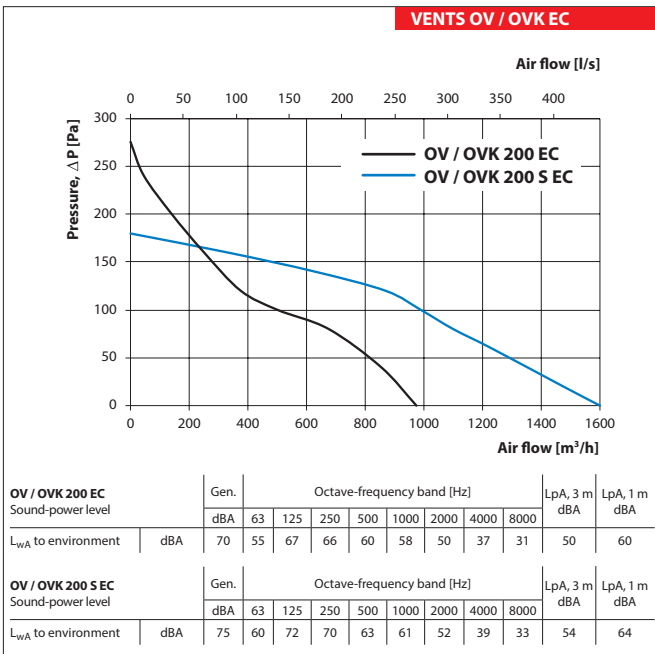
**VENTS OVEC**  
**VENTS OVK EC**  
**VENTILATORSERIE**

Type	Dimensions [mm]						Diameter installation hole [mm]	Mass [kg]
	∅D	∅D1	∅D	∅d	L	L1		
OVK 200 EC	210	250	280	7	81	93	210	1.6
OVK 200 S EC	210	250	280	7	81	93	210	1.7
OVK 250 EC	262	318	340	7	81	93	260	2
OVK 250 S EC	262	318	340	7	81	93	260	2
OVK 300 EC	317	380	397	9	104	116	317	2.7
OVK 300 S EC	317	380	397	9	104	116	317	2.8
OVK 350 EC	374	442	460	9	97	157	374	3.8
OVK 400 EC	416	504	528	9	97	157	417	4.6
OVK 450 EC	470	578	607	11	176	294	465	6.3
OVK 500 EC	520	590	655	11	180	294	520	7



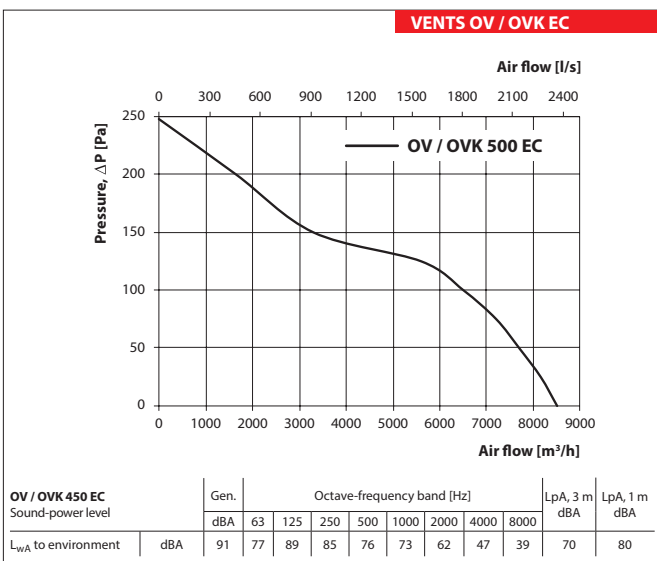
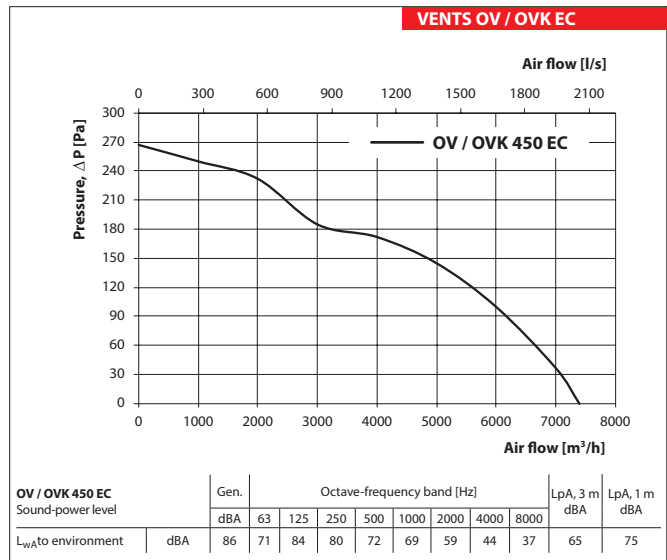
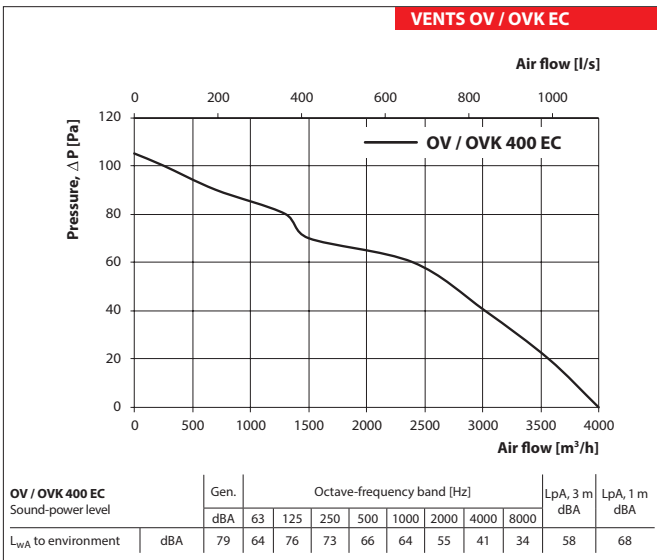
Technical data

	OV / OVK 200 EC	OV / OVK 200 S EC	OV / OVK 250 EC	OV / OVK 250 S EC	OV / OVK 300 EC	OV / OVK 300 S EC	OV / OVK 350 EC
Voltage [V]	1~230	1~230	1~230	1~230	1~230	1~230	1~230
Frequency [Hz]	50/60	50/60	50/60	50/60	50/60	50/60	50/60
Power [W]	55	115	85	115	150	210	200
Current [A]	0.4	0.85	0.61	0.85	1.2	1.5	1.4
Max. air flow [m <sup>3</sup> /h] (l/s)	975 (271)	1600 (444)	1550 (431)	1850 (514)	2400 (667)	2750 (764)	3500 (972)
RPM [min <sup>-1</sup> ]	2780	2900	2480	2950	2000	2200	1670
Noise level at 3 m [dBA]	50	54	50	57	57	57	58
Transported air temperature [°C]	-25...+60	-25...+60	-25...+60	-25...+60	-25...+60	-25...+60	-25...+60
Motor protection	IP55	IP55	IP55	IP55	IP55	IP55	IP55
Protection rating	IPX5	IPX5	IPX5	IPX5	IPX5	IPX5	IPX5



**Technical data**

	<b>OV / OVK 400 EC</b>	<b>OV / OVK 450 EC</b>	<b>OV / OVK 500 EC</b>
Voltage [V]	1~230	1~230	1~230
Frequency [Hz]	50/60	50/60	50/60
Power [W]	170	380	700
Current [A]	1.3	1.7	3.1
Max. air flow [m <sup>3</sup> /h] (l/s)	4000 (1111)	7400 (2056)	8500 (2361)
RPM [min <sup>-1</sup> ]	1180	1400	1600
Noise level at 3 m [dBA]	58	65	70
Transported air temperature [°C]	-25...+60	-25...+60	-25...+60
Motor protection	IP55	IP55	IP55
Protection rating	IPX5	IPX5	IPX5



VENTS OV EC  
VENTS OVK EC  
VENTILATORSERIE