

# User's manual

## Mounting kit

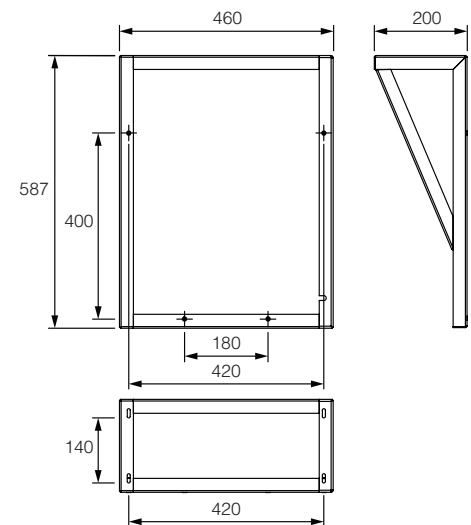
### MK1 Micra 150



#### DESCRIPTION

The MK1 Micra 150 mounting kit is designed for the ceiling mounting of the Micra 150 unit.

The outline drawing of the mounting frame is shown on the right.

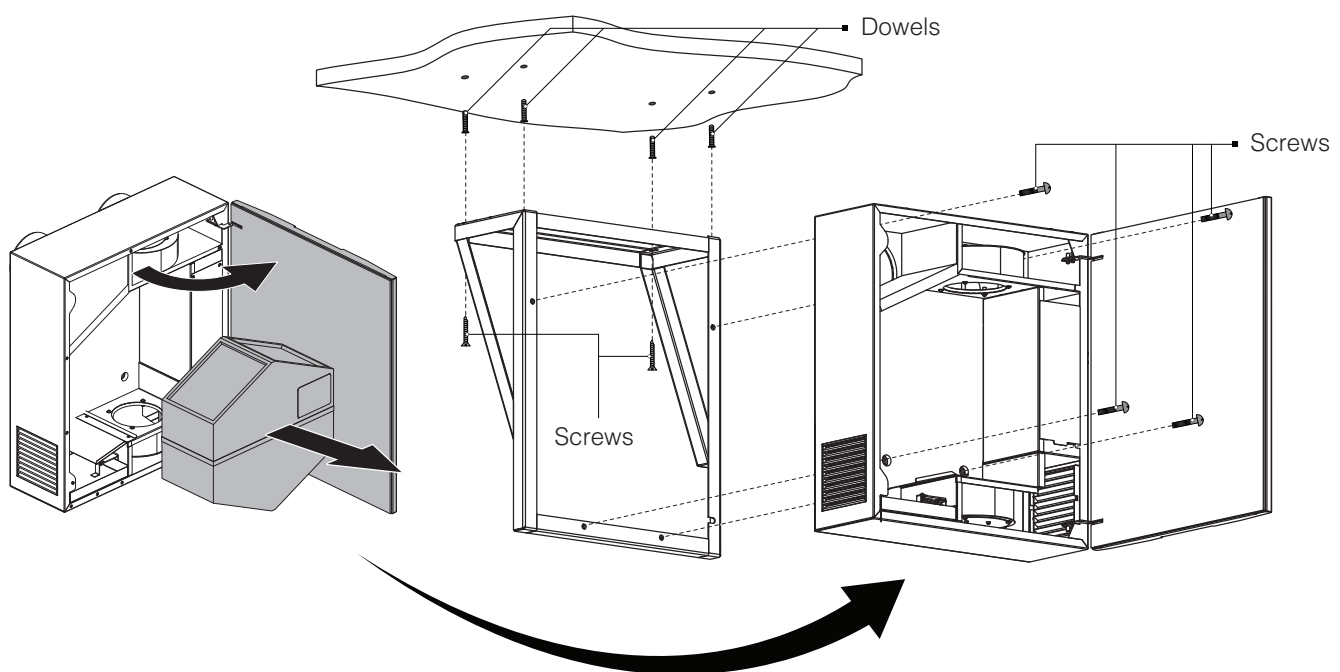


#### DELIVERY SET

Name	Number
Mounting frame	1 item
Mounting screws	4 items
Dowels with screws	4 items
User's manual	1 item

#### MOUNTING

To install the unit using the mounting kit open the unit, remove the heat exchanger to gain access to the mounting holes. Attach the mounting frame to the ceiling or other suitable surface. Then tighten the screws to install the mounting frame.



V137-1EN-01