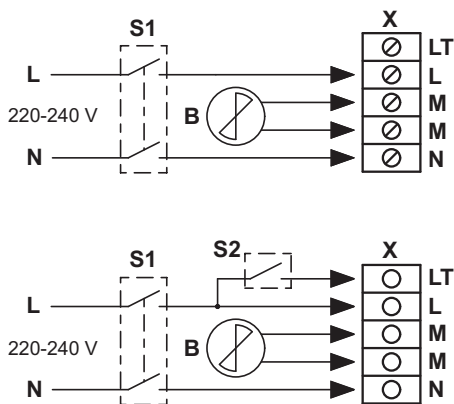
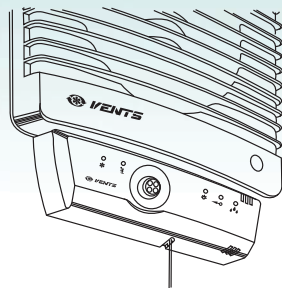


Control unit BU-1-60



Wiring diagram of the control unit

B - fan;
S1 - automatic circuit breaker;
S2 - external switch;
X - input terminal block BU.

Application

Automation and control of residential fan operation. It includes automatic controls as timer, humidity sensor, photosensor and motion sensor. All these options can be used in any combination.

Design

- The control unit casing is made of high-quality plastic.
- The front panel is equipped with light indicators that display the current operating mode.
- Automatic operation with selected mode is possible. The switches are used to activate required operation modes depending on a specific application. The control units are available in several modifications:
- Turn-off delay timer keeps the fan running for a set time period after turning the built-in or external switch off that provides extra ventilation in the premise. The control unit switches the fan off from 5 sec to 30 minutes.
- Cyclic timer operation: the cyclic operation mode allows switching the fan on and off with set time intervals. Operation or standstill duration is adjusted from 5 sec to 30 min. The fan switches on and operates within pre-set time period followed by a pause according to timer settings. After that the cycle is renewed.
- Humidity sensor switches the fan on as the humidity level in the premise increases above the set threshold. As it drops back the control unit switches the fan off. Humidity threshold is user-adjustable.

- Built-in photosensor is sensitive to illumination in the room and switches the fan automatically on.

- «Dark mode»: The control unit switches the fan on after the light is off. The operation duration is adjustable from 5 sec to 30 min and the photosensor threshold is set by the regulator.

- «Light mode»: The control unit switches the fan on after the light is on. As light is off the fan continues operating and turns off as the turn-off delay timer requires from 5 sec to 30 min. If the light is on more than 60 minutes the fan switches off. The photosensor threshold is set by the control unit.

- The motion sensor responds to human motion in the sensitivity area and switches the fan automatically on. When motion is not registered the control unit switches the fan off as the turn-off delay timer requires from 5 sec to 30 min. Use of the motion sensor makes the fan control easy and is especially suitable for periodically visited premises. The sensitivity area is 4 m max. and the detection angle up to 100°.

Mounting

- The control unit is designed for indoor installation, both close to the fan and remote. The installation place is selected with respect to the furniture location and walking routes.

Model	Options				
	switch	timer	humidity sensor	motion sensor	photosensor
VENTS BU-1-60	●	●	●	●	●
VENTS BU-1-60 TF		●			●
VENTS BU-1-60 THF		●	●		●
VENTS BU-1-60 THPF		●	●	●	●

Technical data

	BU-1-60
Voltage [V] at 50 Hz	1- 230
Max. load power [W]	60
Maximum load current [A]	0,3
Overall dimensions LxBxH [mm]	151x46x27
Maximum ambient temperature [°C]	+40
Protection	IP 34
Weight [kg]	0,075