

PANEL FILTERS

Series
FB



■ **Applications**

Panel type air filters are applied for supply air and sometimes extract air purification in rectangular duct ventilating and conditioning systems. Designed for protection of the air ducts, heat exchangers, control equipment and other ventilating equipment against dusting. The filters minimize wall and ceiling pollution near the air diffuser. Coarse filters can be used as first stage purification filters before more efficient filters.

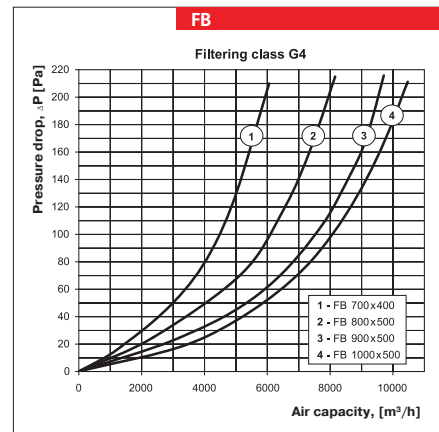
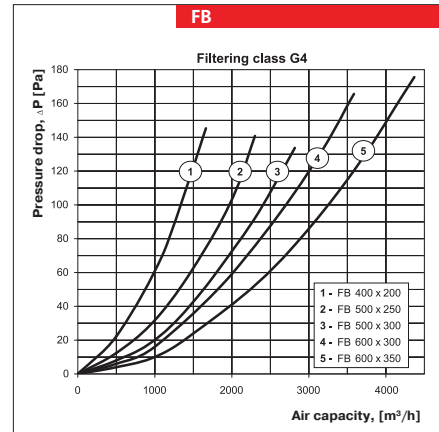
■ **Design**

The casing is made of galvanized steel. V-shaped form ensures filtering surface increase. The

filtering element is made of non-woven fabric from synthetic fibers and has protecting metal mesh against deformation caused by air flow. Removable cover equipped with lever locks provides easy and quick access to the replaceable filtering element. The filters are small-sized and are suitable even for limited space. Filtering class G4.

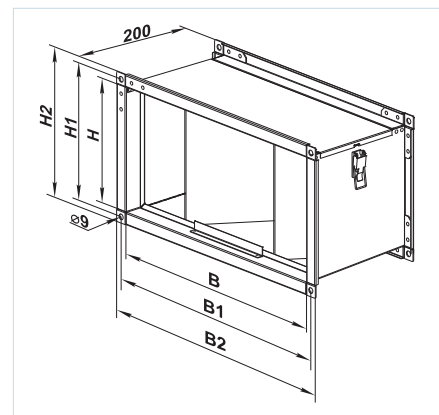
■ **Mounting**

The filters are installed at heater and fan inlet along the air flow direction. The air flow direction shall match the designation on the filter. Access for the fan maintenance shall be provided for the filter cleaning or replacement.



Overall dimensions:

Type	Dimensions [mm]						Weight [kg]
	B	B1	B2	H	H1	H2	
FB 400x200	400	420	440	200	220	240	2.4
FB 500x250	500	520	540	250	270	290	4.1
FB 500x300	500	520	540	300	320	340	4.4
FB 600x300	600	620	640	300	320	340	5.2
FB 600x350	600	620	640	350	370	390	5.8
FB 700x400	700	720	740	400	420	440	6.7
FB 800x500	800	820	840	500	520	540	7.9
FB 900x500	900	920	940	500	520	540	8.4
FB 1000x500	1000	1020	1040	500	520	540	8.9



Designation key:

Series	Flange dimensions (WxH) [mm]
FB SF	400x200;500x250;500x300;600x300;600x350;700x400;800x500;900x500;1000x500

Replaceable SF filter

