

FM Series



FM...Zn Series



Application

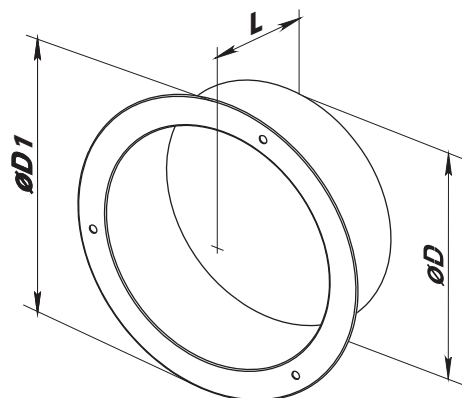
- For connection of flexible and plastic air ducts of the respective diameter.
- For wall or ceiling mounting.

Design

- Made of special steel with polymeric coating (**FM** series) or galvanized steel (**FM...Zn** series).
- Fixing to wall or ceiling with screws.

Overall dimensions

Model		Dimensions [mm]		
		D	D1	L
FM 80	FM 80 Zn	80	116	62
FM 100	FM 100 Zn	100	136	62
FM 110	FM 110 Zn	110	146	62
FM 120	FM 120 Zn	120	156	62
FM 125	FM 125 Zn	125	162	62
FM 130	FM 130 Zn	130	166	62
FM 140	FM 140 Zn	140	176	62
FM 150	FM 150 Zn	150	186	62
FM 160	FM 160 Zn	160	196	62
FM 180	FM 180 Zn	180	206	62
FM 200	FM 200 Zn	200	236	62
FM 250	FM 250 Zn	250	286	62
FM 315	FM 315 Zn	315	351	62



Accessories

