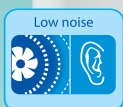


VENTS MF Series



Low-noise and energy saving axial fan for exhaust ventilation with air capacity up to 255 m³/h

Applications

- Continuous or periodic exhaust ventilation of bathroom, showers, kitchens and other utility spaces.
- Ventilation of premises with high noise level limitations.
- Mounting into ventilation shafts or connection to Ø100, 125 and 150 mm air ducts.

Design

- The casing and the impeller are made of high-quality durable ABS plastic, UV resistant.
- Specially designed impeller aerodynamic profile provides high air capacity and low noise.
- The fan is equipped with a back valve to prevent back flow and heat losses during the fan standby.
- The fan exhaust spigot incorporates specially designed air rectifiers to reduce air turbulence, increase air pressure and lower noise level.

Motor

- Low energy demand from 8 W due to new high-efficient motor.
- Protection rating IP 44.
- Designed for continuous operation and requires no maintenance.
- Motor equipped with overheating protection.

Modifications and Options



MF L – the motor is equipped with ball bearings for long service life (appr. 40 thousand hours) and fan mounting at any angle. The bearings are maintenance-free and contain enough grease for the entire operating period.



MF T – off-delay timer modification with operating time from 2 to 30 min.



MF T1 – modification with turn-on delay timer (adjustable from 0 to 2 minutes) and off-delay timer (adjustable from 2 to 30 minutes).



MF TH – off-delay timer modification with the operating time from 2 to 30 min and humidity sensor with threshold from 60 to 90%.



MF V – pull-cord switch modification.



MF VT – modification with pull-cord switch and off-delay timer with operating time from 2 to 30 min.



MF VTH – modification with pull-cord switch, off-delay timer with operating time from 2 to 30 min and humidity sensor with threshold from 60 to 90%.

Control

Manual control:

- Manual control with a room light switch. The switch is not included into delivery set.
- The fan is controlled by the built-in pull cord switch **V**. Not applied in case of ceiling mounting.
- Speed control is possible through a thyristor speed controller (see Electrical Accessories). Several fans may be connected to the same controller. Speed controllers can not be connected to the fans with T, TH, TP, VT, VTH modification.

Automatic:

- By the electronic control unit **BU-1-60**. The control unit is supplied separately.
- By the timer **T** (the built-in run-out timer enables the fan operation within 2 to 30 minutes after the fan switching off).
- By the humidity sensor and timer **TH** (if the humidity level in the room exceeds the sensor threshold adjustable value within 60-90% the fan switches automatically on and operates until the humidity level drops to the standard level, after that the fan continues operating within the time period according to the timer setting, then shuts down).

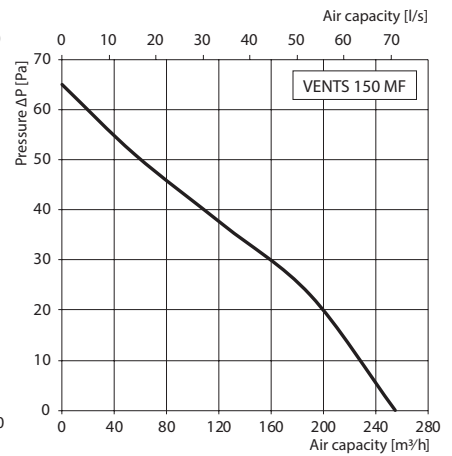
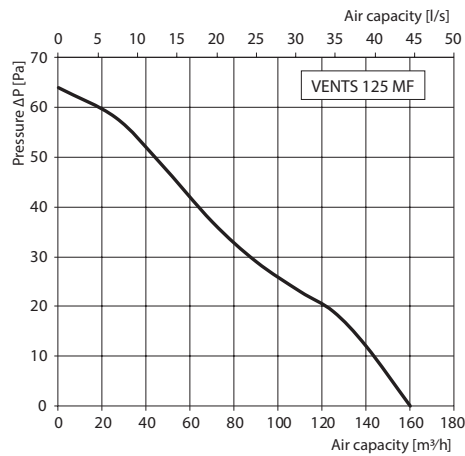
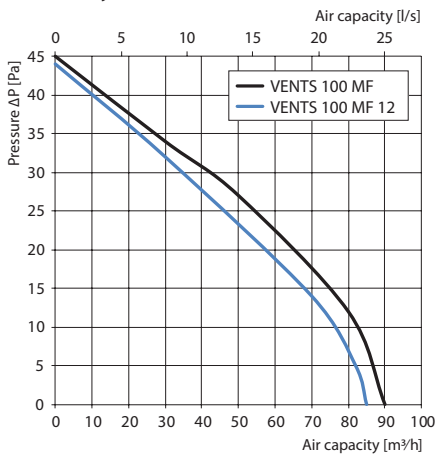
Mounting features

- The fan is mounted directly into the ventilation shaft.
- Flexible duct application is recommended in case of remote location of the ventilation shaft.
- The air duct is connected to the fan exhaust flange through a clamp.
- Fixed to wall by self-tapping screws.
- Suitable for ceiling mounting.

Accessories



Aerodynamic characteristics

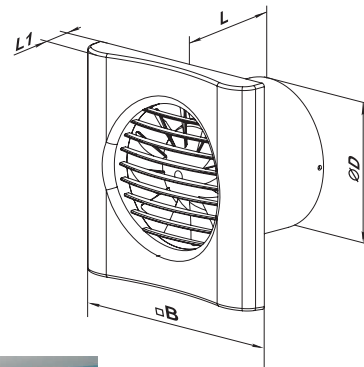


Technical data

Model	Frequency [Hz]	Voltage [V]	Power Consumption [W]	Current [A]	R.p.m.	Maximum air flow [m ³ /h]	Sound Pressure Level at 3 m [dBA]	Weight [kg]
VENTS 100 MF	50	220-240	8	0.05	2165	90	29	0.45
VENTS 100 MF (220-240 V/60 Hz)	60							
VENTS 100 MF 12	50	12	8	1.02	2075	85	28	0.45
VENTS 125 MF	50	220-240	18	0.11	2200	160	34	0.80
VENTS 125 MF (220-240 V/60 Hz)	60							
VENTS 150 MF	230	220-240	28	0.21	1545	255	35	0.97

Overall dimensions

Model	Dimensions [mm]			
	Ø D	B	L	L1
VENTS 100 MF	99	150	79	19
VENTS 125 MF	124	180	85	21
VENTS 150 MF	148	205	112	23



Mounting example



Certificates



The fans meet the applicable safety and electromagnetic compatibility standards.