

Switch
P2-5,0 N(V)
P3-5,0 N(V)
P5-5,0 N(V)



■ **Applications**

Applied for speed ON/OFF switching and speed selection in the fans with multi-speed motors.

■ **Design and control**

The switch casing is made of plastic and fitted with ON/OFF knob with operating mode indicator light. The fan speeds can be switched directly or by

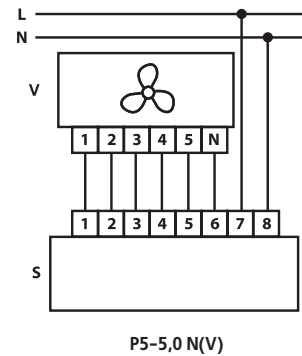
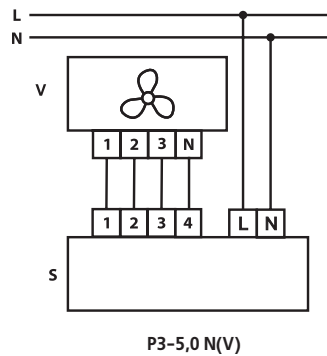
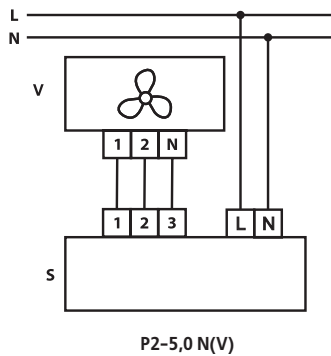
means of the remote panel for speed switching for multistage transformer speed controller as P5-5,0 for five-stage transformer speed controller.

■ **Mounting**

The universal design of the controller enables its indoor wall mounting either on the wall (H modification) or through the wall (V modification).

Technical data:

	P2-5,0	P3-5,0	P5-5,0
Voltage, [V/ 50 Hz]	1~ 230	1~ 230	1~ 230
Rated current [A]	5.0	5.0	5.0
Number of selected speeds	2	3	5
Overall dimensions LxWxH [mm]	162x80x70	162x80x70	162x80x70
Maximum ambient temperature [°C]	40	40	40
Protection rating	IP 40	IP 40	IP 40
Weight [kg]	0.25	0.25	0.25



V - fan;
S - switch

Switch connection options