

## VENTS Quiet DC Series



Updated version of low-noise axial fans with DC motors for low energy consumption

### Application

- Innovative extract fan with stylish design for enhanced comfort level in shower rooms, bathrooms, kitchens and other residential premises.
- Maximum air flow combined with low noise level provide the ideal microclimate.
- Mounting into ventilation shafts or connection to Ø 100 mm air ducts.
- Two-speed operation modes with max. air flow 100 m<sup>3</sup>/h.

### Design

- The casing and the impeller are made of high-quality and durable UV-resistant plastic.
- The specially designed aerodynamic profile of the mixed-flow impeller provides high air flow and pressure combined with low-noise operation.
- A shortened spigot for mounting into a ventilation shaft or direct connection to Ø 100 mm air duct.
- The fan is equipped with a specially designed backdraft damper to prevent back flow and heat losses during the fan standby.
- The fan exhaust spigot incorporates specially designed air rectifiers to reduce air turbulence, noise level and boost air pressure.
- High ingress protection rating makes the fan the ideal solution for ventilation of a bathroom. The electronic components are protected with tight covers.

### Colour modifications



Quiet 100 DC  
Red RAL 3013



Quiet 100 DC  
Vintage



Quiet 100 DC  
Aluminum Lacquer



Quiet 100 DC  
Chrome



Quiet 100 DC  
Black Sapphire

### Motor

- Low energy demand up to 3,5 W due to a new high-efficient motor.
- Maintenance-free bearings contain enough grease for 40 000 hrs non-stop operation.
- Motor equipped with electric overheating protection.

### Modifications and Options



**Quiet DC T:** modification with a turn-off delay timer regulated from 2 up to 30 minutes. All the Quiet DC fans have this timer by default.



**Quiet DC TH:** modification with a turn-off delay timer regulated from 2 up to 30 minutes and a humidity sensor with an adjustable threshold from 60% to 90%.



**Quiet DC VT:** modification with a pull cord switch and a turn-off delay timer regulated from 2 up to 30 minutes.



**Quiet DC VTH:** modification with a pull cord switch, a turn-off delay timer regulated from 2 up to 30 minutes and a humidity sensor with an adjustable threshold from 60% to 90%.



**Quiet DC TP:** modification with a turn-off delay timer regulated from 2 up to 30 minutes and a motion sensor with reach distance up to 4 m and viewing angle up to 100°.

### Operation modes of Quiet 100 DC fan with an integrated turn-off delay timer, humidity sensor and motion sensor.

Operation mode selection and setup for Quiet 100 DC models with modifications T, TH, VT, VTH, TP is performed by setting the DIP switch to a respective position.

#### Mode 1 (single-speed mode)

- The fan is turned off by default. The fan starts operating at the low speed when the switch is closed or one of the sensors is activated.

#### Mode 2 (single-speed mode)

- The fan is turned off by default. The fan starts operating at the high speed when the switch is closed or one of the sensors is activated.

#### Mode 3 (two-speed mode)

- The fan operates at the low speed by default. The fan switches to the high speed when the switch is closed or the sensors are activated.

#### Mode 4 (two-speed mode)

- The fan is turned off by default. The fan starts operating at the low speed when the switch is closed and switches to the high speed when the humidity or motion sensor is activated.

### Control

#### Manual control:

- Manual operation with a room light switch. The switch is not included in the delivery set.
- Operation with the integrated pull cord switch V. Not applied in case of ceiling mounting.

#### Automatic control:

- With the electronic control unit BU-1-60 (see Electrical Accessories). The control unit is supplied separately.
- With the turn-off delay timer T. The built-in turn-off delay timer enables operation of the fan within 2 up to 30 minutes after turning the fan off with a switch.
- With the humidity sensor and timer TH. If the indoor humidity exceeds the set humidity point adjustable from 60% to 90%, the fan switches automatically to the high speed and operates until the humidity level drops below the set point. After that the fan continues operating according to the timer settings and turns either to the low speed or turns off.
- With the motion sensor and the timer TP. If the motion sensor detects motion in the reach area up to 4 m with a viewing angle up to 100°, the fan turns on and operates from 2 to 30 minutes according to the timer settings.

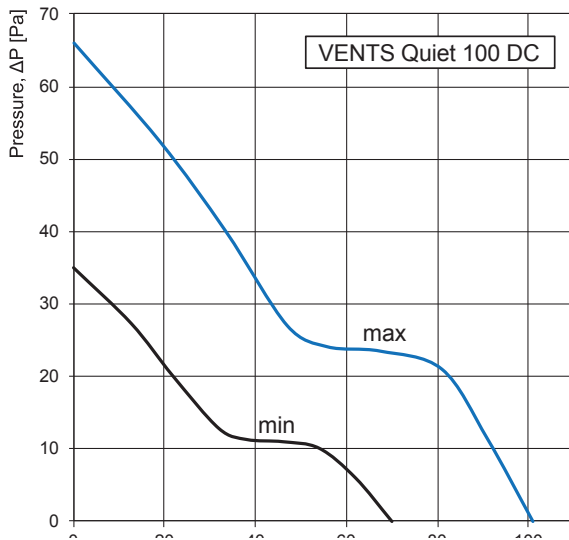
### Mounting features

- Installation directly inside a ventilation shaft.
- Flexible air ducts may be used in case of remote location of the ventilation shaft. The air duct is connected to the exhaust spigot with a fixing clamp.
- Wall mounting with screws.
- Suitable for ceiling mounting.

### Technical data

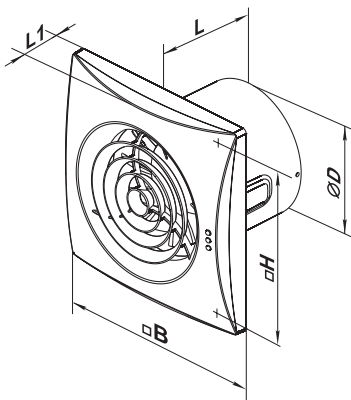
Model	Speed	Frequency [Hz]	Voltage [V]	Power consumption [W]	Current [A]	R.p.m.	Maximum air capacity [m <sup>3</sup> /h]	Sound Pressure Level at 3 m [dBA]	Weight [kg]	IP
VENTS Quiet DC	min.	50/60	230	1.5	0.063	1850	70	22	0.55	IP45
	max.			3.5	0.137	2650	101	27		

### Aerodynamic characteristics



### Overall dimensions

Model	Dimensions [mm]				
	$\varnothing D$	B	H	L	L1
VENTS Quiet DC	99	158	136	81	26



### Certificates



The fans meet the applicable safety and electromagnetic compatibility standards.