

Series
RRV



■ **Application**

Multi-blade damper for air flow control or cut-off in rectangular air ducts.

Compatible with duct sizes 400x200, 500x250, 500x300, 600x300, 600x350, 700x400, 800x500, 900x500 and 1000x500 mm.

■ **Design**

The housing made of galvanized steel. The aluminium blades driven by plastic gearwheels. Lever with removable metal handle and fixing clamp.

Universal shaft for automatic actuator. Compatible actuators are shown in the table below (available upon separate order). For actuator connection the metal handle should be removed from the shaft.

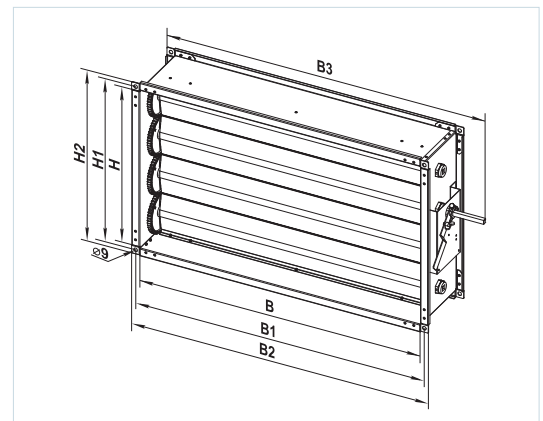
■ **Mounting**

Standard connection flange for rectangular air ducts or other ventilation system components.

Flanges should be connected with galvanized bolts and clamps.

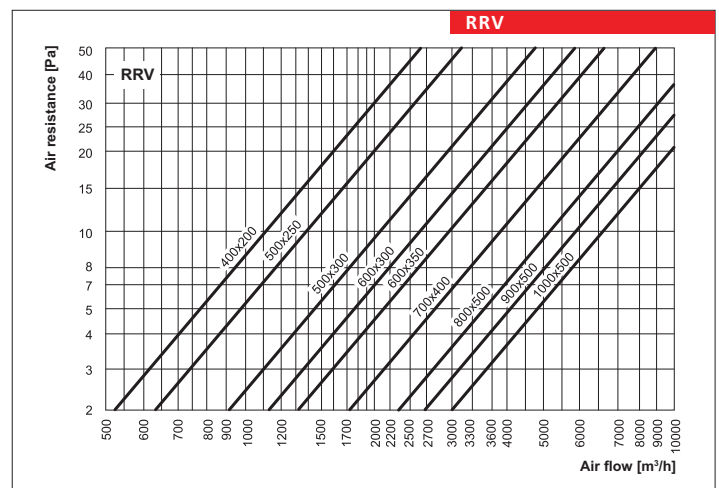
Overall dimensions:

Type	Dimensions [mm]								Weight [kg]
	B	B1	B2	B3	H	H1	H2	L	
RRV 400x200	400	420	440	540	200	220	240	170	3.5
RRV 500x250	500	520	540	640	250	270	290	170	4.2
RRV 500x300	500	520	540	640	300	320	340	170	4.9
RRV 600x300	600	620	640	740	300	320	340	170	5.4
RRV 600x350	600	620	640	740	350	370	390	170	5.7
RRV 700x400	700	720	740	840	400	420	440	170	7.7
RRV 800x500	800	820	840	940	500	520	540	170	8.8
RRV 900x500	900	920	940	1040	500	520	540	170	9.6
RRV 1000x500	1000	1020	1040	1140	500	520	540	170	10.3



Compatible Belimo actuators:

Model	Actuator type			
	Electric actuator, 230 V	Spring return electric actuator, 230 V	Electric actuator, 24 V	Spring return electric actuator, 24 V
RRV 400x200				
RRV 500x250	CM230 / LM230A	TF230 / LF230	CM24 / LM24A	TF24 / LF24
RRV 500x300				
RRV 600x300				
RRV 600x350				
RRV 700x400				
RRV 800x500	LM230A	LF230	LM24A	LF24
RRV 900x500				
RRV 1000x500				



Designation key:

Series	Flange dimensions [mm]
RRV	400x200; 500x250; 500x300; 600x300; 600x350; 700x400; 800x500; 900x500; 1000x500

Accessories

