

# USER'S OPERATION MANUAL

VUT 300 WH EC  
VUT 400 WH EC  
VUT 600 WH EC



**AIR HANDLING UNIT WITH HEAT RECOVERY**

## CONTENT

Introduction	3
Use	3
Delivery set	3
Structural designation key	4
Technical data	4
Safety requirements	7
Structure and operating logic	8
Mounting and set-up	9
Condensate drainage	12
Connection to power mains	13
Unit control	14
Functional diagram	25
Technical maintenance	26
Fault handling	27
Storage and transportation rules	28
Manufacturer's warranty	28
Acceptance certificate	29
Electrical connection certificate	29
Warranty card	29



## INTRODUCTION

The present user's operation manual contains technical description, data sheet, installation and mounting guidelines for the air handling unit with heat recovery VUT WH EC, VENTS series (hereinafter referred as the unit).

## USE

The unit is designed to ensure continuous mechanical air exchange in houses, offices, hotels, cafés, conference halls, and other utility and public spaces as well as to recover the heat energy contained in the air extracted from the premises to warm up the filtered stream of supply air.

The unit is not intended for organizing ventilation in swimming pools, saunas, greenhouses, summer gardens, and other spaces with high humidity.

Due to the ability to save heating energy by means of energy recovery, the unit is an important element of energy-efficient premises.

The unit is a component part and is not designed for stand-alone operation.

It is rated for continuous operation.

Transported air must not contain any flammable or explosive mixtures, evaporation of chemicals, sticky substances, fibrous materials, coarse dust, soot and oil particles or environments favourable for the formation of hazardous substances (toxic substances, dust, pathogenic germs).

Relative humidity of transported air must not exceed 80 % at an ambient temperature of +20 °C.



**The unit is not designed to be used by children, physically or mentally disabled persons, persons with sensory disorder, persons with no appropriate experience or expertise.**

**The unit can be operated by qualified experts after appropriate instruction about its use and operation.**

**Install the unit to be out of reach of children.**

## DELIVERY SET

- Unit - 1 pce;
- Remote control panel - 1 pce;
- User's operation manual - 1 pce;
- Packing box - 1 pce;



## STRUCTURAL DESIGNATION KEY

**VUT XXX X W H EC**

**Motor type**

EC - electronically commutated motor

**Spigot orientation**

H - horizontal

**Heater type**

W - water heater

**Modification (spigot Ø)**

1 - 150 mm, 2 - 160 mm

**Air capacity [m<sup>3</sup>/h]****Unit type**

VUT - ventilation with energy utilization

## TECHNICAL DATA

The unit is designed for indoor application with the ambient temperature ranging from +1°C up to +40°C and relative humidity up to 80%.

In order to prevent condensation on the internal walls of the units, it is necessary that the surface temperature of the casing is 2-3 °C higher than the dew point temperature of the transported air.

Ingress Protection (IP) rating from solid objects and liquids:

- IP 44 for the unit motors;
- IP 22 for the assembled unit connected to the air ducts.

The unit overall and connecting dimensions, external view, technical data are shown in fig. 1 and in table 1.

The unit design is regularly being improved, so some models can slightly differ from those ones described in this manual.

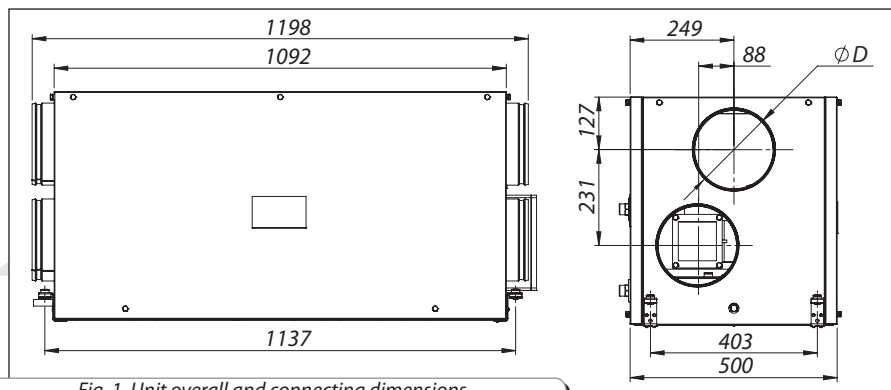


Fig. 1. Unit overall and connecting dimensions

Table 1

Type	VUT 300-1 WH EC	VUT 300-2 WH EC	VUT 400 WH EC	VUT 600 WH EC
Voltage, 50 Hz [V]	1 ~ 230			
Max. fan power [W]	2 items x 70	2 items x 70	2 items x 175	2 items x 175
Max. fan current [A]	2 items x 0,6	2 items x 0,6	2 items x 1,3	2 items x 1,3
Number of heating coils	2			
Total unit power [W]	0,14		0,35	
Total unit current [A]	1,2		2,6	
Max. air capacity, m <sup>3</sup> /h	300	300	400	550
Rotation speed [min <sup>-1</sup> ]	1380	1380	1340	2150
Noise level, 3 m [dB(A)]	24-45		28-47	
Max. transporting air temperature [°C]	from -25 up to +40			
Casing material	Aluzinc			
Insulation	25 mm mineral wool			
Filter:	extract	G4		
	supply	F7 (EU7)		
Connected duct diameter [mm]	Ø150	Ø160	Ø200	Ø200
Weight [kg]	40			
Heat recovery efficiency	up to 90%			
Heat exchanger type	Counter-flow			
Heat exchanger material	Polystyrene			

The basic thermal dynamic characteristics of the water heaters are stated in the performance charts, fig. 2.



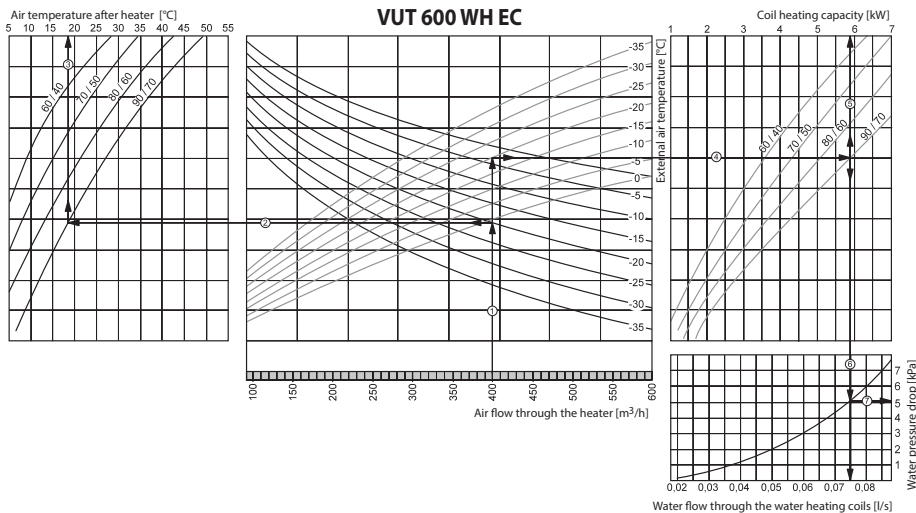
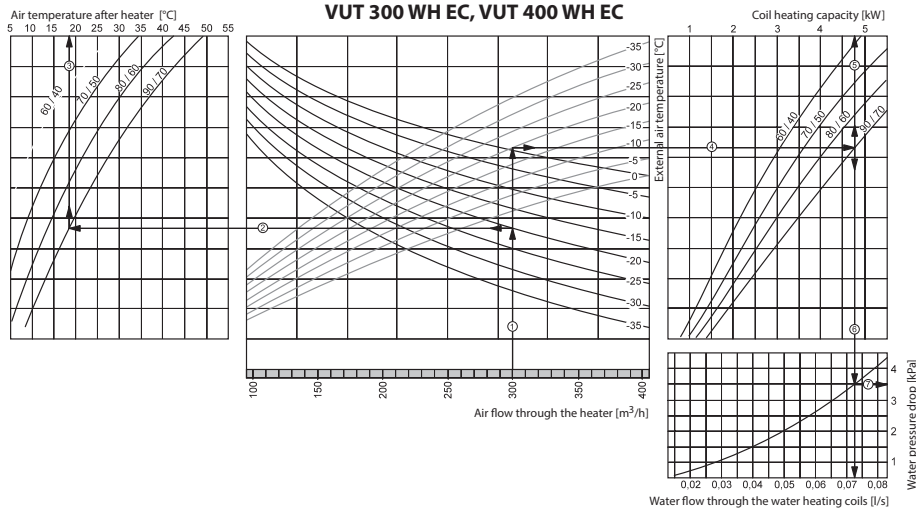


Fig. 2 Calculation of water heater parameters

**SAFETY REQUIREMENTS**

While operating and mounting the unit consider the requirements of the present operation manual as well as general requirements of all applicable local and national building and electrical codes and standards.

The unit must be grounded!

Before connecting the unit to power mains make sure that the unit is free of any visible damages or any other foreign objects inside the casing that can damage the impeller blades.

Mounting, wireworks and connection to power mains only by duly qualified electricians with valid electric work permit!

Do not operate the unit beyond the specified temperature range or in an aggressive and explosive medium!

The unit is not rated for use in areas where atmospheric conditions are determined by sea climate or hot springs or in media where air is deodorized and supplied further to other premises.



**Disconnect the unit from power supply prior to any mounting, servicing, connection or repair operations with the unit.**



**Do not!**

- **Do not operate the unit beyond the specified temperature range or in an aggressive and explosive medium!**
- **Do not connect clothes dryers or similar equipment to the ventilation system!**
- **Do not operate the unit in the air and dust mixture medium!**



## STRUCTURE AND OPERATING LOGIC

The unit has the following operating logic (fig. 3):

Warm stale extract air from the room flows through the air ducts to the unit, is purified in the extract filter and is supplied to the heat exchanger and exhausted outside by exhaust fan. Clean cold air from outside is moved by supply fans to the unit where from it is directed to the supply filter. Then cleaned air flows through the heat exchanger and is supplied to the room along air ducts.

Thermal energy of warm extract air is transferred to clean intake fresh air from outside and warms it up. Heat recovery minimizes thermal energy losses, energy demand and operating costs for climatization accordingly.

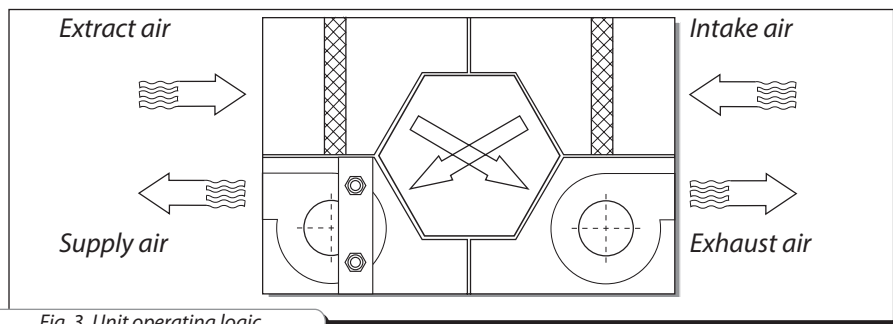


Fig. 3. Unit operating logic

The unit is a framework construction that includes a frame made of six rigidly fixed 25 mm thick sandwich panels. The three-layer sandwich panels are made of two galvanized sheets, internally filled with thermal- and sound-insulated layer.

The fig. 4 shows the unit design. The unit is equipped with quick-detachable service panels 14 for scheduled repair and maintenance operations. The panels are specially sealed. The terminal box 15 is detached to inner side of one of the side walls 13.

The terminal box incorporates a terminal block with the wires from the control block. While connecting the unit to power mains route the wires through the screwed cable glands. The terminal box inner side shows a wiring diagram for the unit connection.

The unit basic modification includes:

- The remote control panel 9 is connected to the control system inside the unit casing through the data cable;
- Two single-inlet centrifugal fans, a supply 1 and an extract 2 fan with forward curved blades and maintenance-free motors with external rotor and integrated overheating protection;
- Plate counter-flow heat exchanger 3.
- One water heater compatible with a threaded pipe G ¾.
- Two filters: supply filter 4 with F7 filter class and extract filter 5 with G4 filter class. The supply filter prevents dirt ingress from outside air to the room and protects the unit inner parts from soiling. The extract filters protect the unit parts from soiling.

Some condensate may appear during heat recovery. Condensate is collected in the drain pan and removed from the unit through the drain pipe 6.



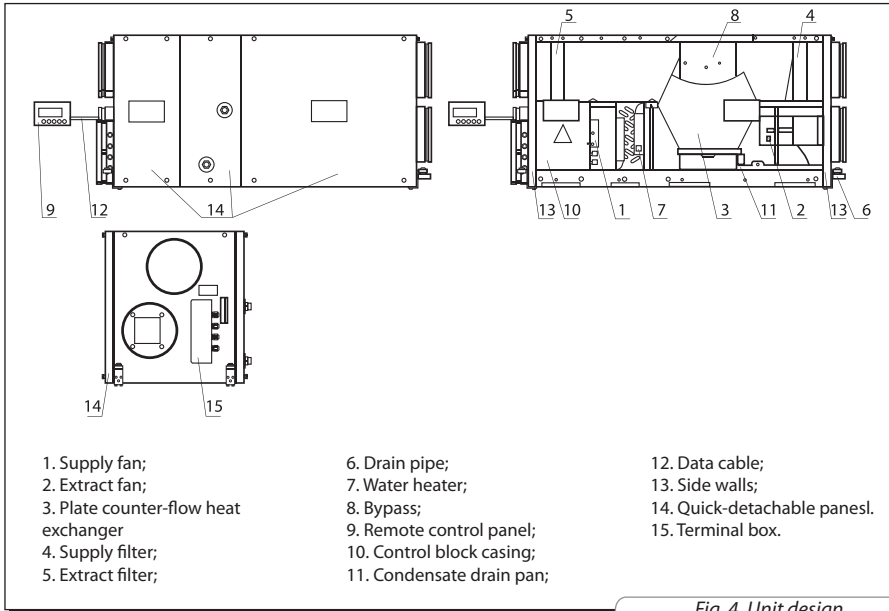


Fig. 4. Unit design

## MOUNTING AND SET-UP

The unit is suspended to the ceiling on the threaded rod that is fixed inside the dowel or may be rigidly fixed on a level surface (fig. 5).

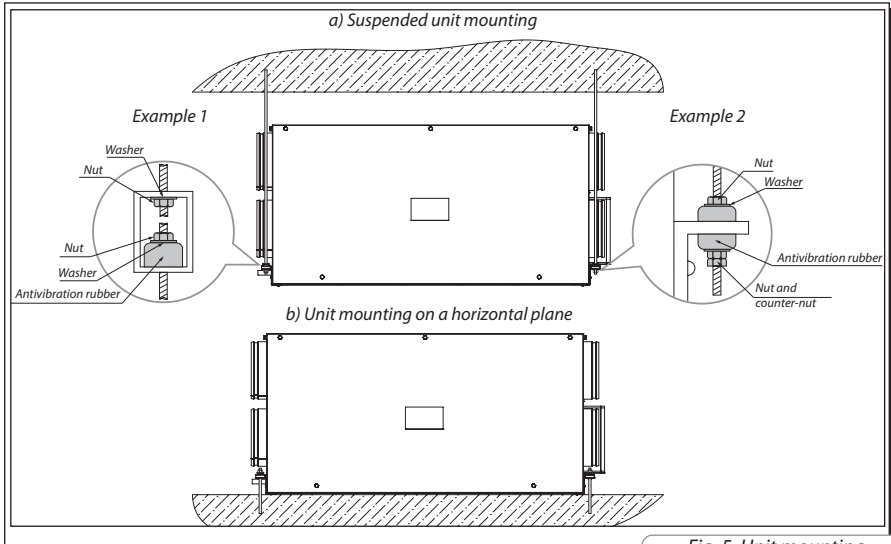


Fig. 5. Unit mounting

Mount the unit on a rigid and stable structure. Check the technical parameters and the unit weight.

Use bolts to suspend the unit to the ceiling. Make sure that the construction has sufficient load capacity to carry the unit weight. Otherwise reinforce an installation place by beams etc. After that fix the bolts. If the construction strength or surface is not rigid enough it can resonate with the unit and create abnormal noise and vibration.

While mounting the unit provide enough service space and an access door in the ceiling for inspection and maintenance of the filters, heat exchanger and fans. One access door is required for each unit.

Make sure that the ambient conditions match the unit operation requirements before starting any installation works.

The operating temperature for the unit ranges between +1°C and +40°C for dry bulb thermometer at relative humidity 80%.

If the bolts used for the unit mounting are too short the unit can generate abnormal noise and resonate with the ceiling.

Use longer bolts with to prevent resonance.

Use longer bolts with to prevent resonance. If the connection point to the spiral seam duct is supposed to be the source of the abnormal noise, install a flexible air duct instead of the flexible one. For the better effect you may use anti-vibration connectors.

Make sure of no foreign objects inside the casing before installation. Preinstall M8 anchor bolt. Then insert the anchor bolt inside the mount for the fixing bracket and fix it with nuts and washers.

While mounting the unit provide enough minimum distances for accessing the unit for its servicing and maintenance. The minimum distance from the unit to the wall is shown in fig. 6.

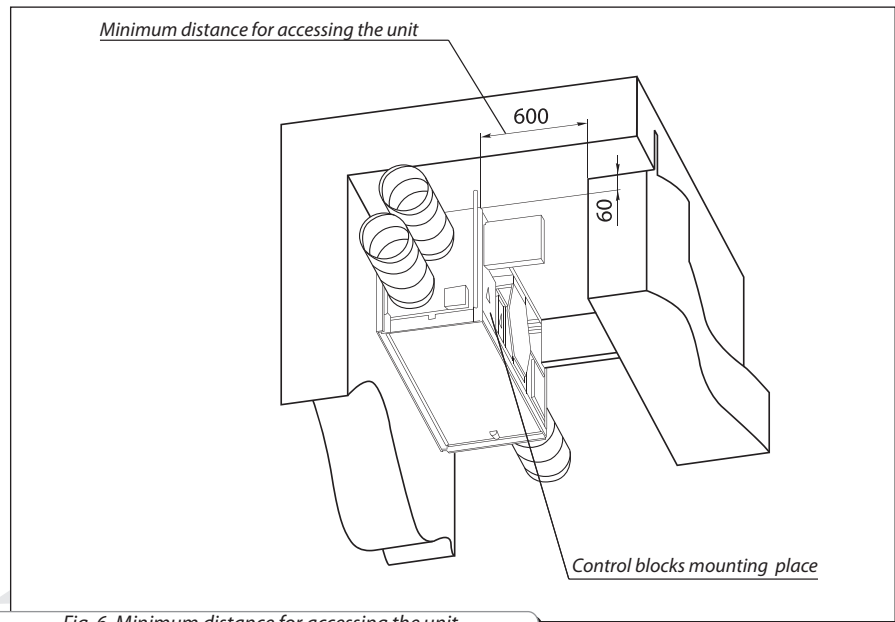


Fig. 6. Minimum distance for accessing the unit

To attain the best performance of the unit while mounting provide a straight 1 m duct section on both sides of the unit.

If the unit is installed at the air duct inlet or outlet it shall be equipped with a grille with the mesh width up to 12.5 mm or any other protecting device to prevent free access to the unit fans.

To increase the unit efficiency connect the water heating coils counter-flow (fig. 7).

All the stated calculations are valid for counter-flow connection of the water heater. The water heater connected on counter-flow basis has lower capacity but higher frost-resistance.

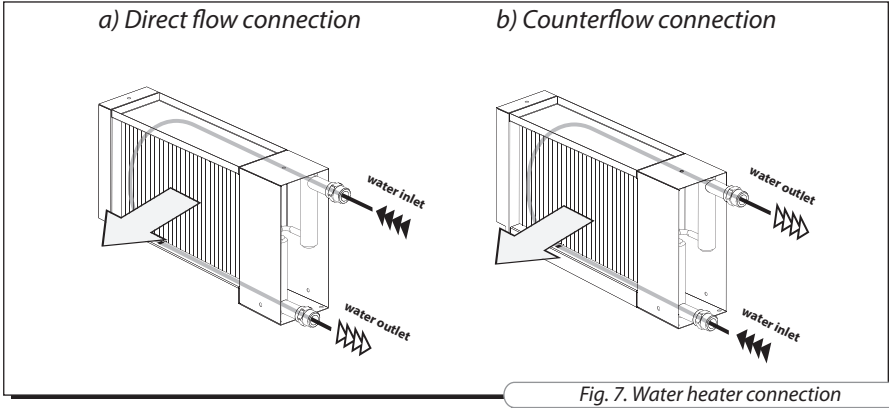


Fig. 7. Water heater connection

Mixing unit diagram (not included into delivery set) of the water heater is shown in fig. 8.

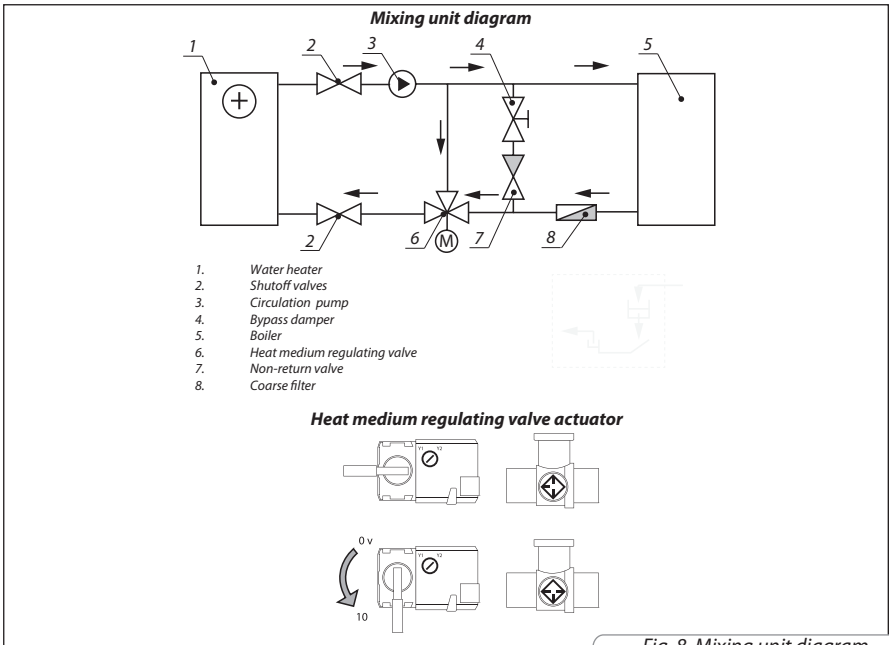


Fig. 8. Mixing unit diagram

**Circulation pump operation (not included into delivery set).**

The circulation pump switches automatically on both in summer or winter mode when the fans are started or at the beginning of the water coils preheating procedure and switches off as the fans stop.

In case of water coil freezing danger no matter of the active summer/winter mode, the circulation pump turns on. After the freezing danger is no longer imminent and after the alarm reset the circulation pump reverts to the previous operation mode.

**Bypass operation.**

The heat exchanger is equipped with a temperature sensor to control the bypass damper position to prevent its freezing. In case of the heat exchanger freezing danger, the bypass damper installed on the supply side is opened to let supply air flow through the bypass air duct and extract air flow through the heat exchanger to warm up a frozen surface. After defrosting and exhaust air temperature increase the bypass air duct is closed and supply air flows again through the heat exchanger.

**CONDENSATE DRAINAGE**

Connect the condensate drain pipes 1, U-trap 3 (not included into delivery set) and the drainage system 5 with metal, plastic or rubber pipes 2 and 4. The tubes must be sloped down by min. 3°. 1 m pipe must be sloped down by 55 mm. Before starting the unit fill the system with water and check that U-trap is always filled with water. Make sure that the water drainage is correct. Wrong connection to drainage system may result in condensate accumulation and outflow to the premise.

The condensate drainage system is designed for operation at the ambient temperature above 0 °C.



**Do not connect several drain pipes from several air handling units to one U-trap!**

**Direct condensate outside without connection to drain system is not allowed!**

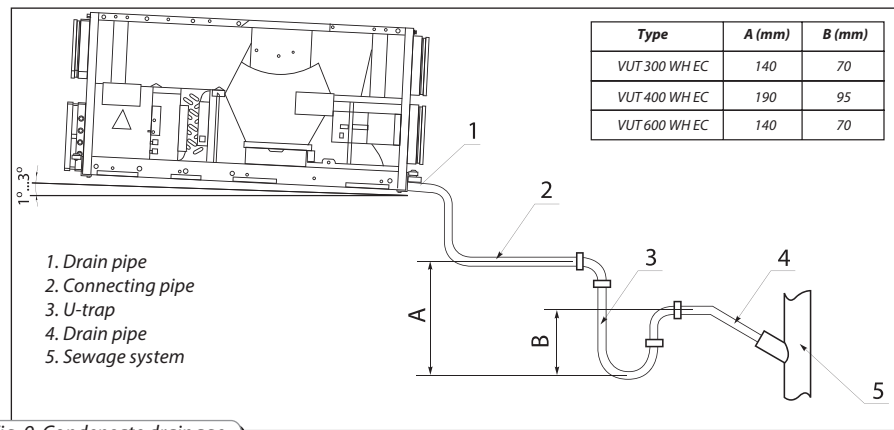


Fig. 9. Condensate drainage

## CONNECTION TO POWER MAINS



**Connection of the unit to power mains is allowed by a qualified electrician with a work permit for the electric units up to 1000 V after detailed study of the present user's manual.**

**The rated electrical parameters of the unit are shown on the rating plate. Any internal connection modifications are not allowed and void warranty.**

The unit is rated for connection to single-phase ac 230 V / 50 Hz.

Connect the unit to power supply by means of insulated, durable and thermal-resistant cords (cables, wires) with respective cross section, in any case no less 2.5 mm<sup>2</sup>.

However, the given section value is tentative. The choice of the required wire section in each case shall be based on the wire type, its maximum permissible heating temperature, its insulation, length and installation method.

Use copper wires only.

Connect the unit to power mains through the terminal block in the junction box in compliance with the wiring diagram, fig. 10 and the terminal marking.

Connect all the control and supply cables in compliance with the terminal marking!

Connect the unit to power mains through the external automatic thermal-magnetic circuit breaker integrated into the fixed wiring system. The trip current must be in compliance with current consumption, refer table 1.

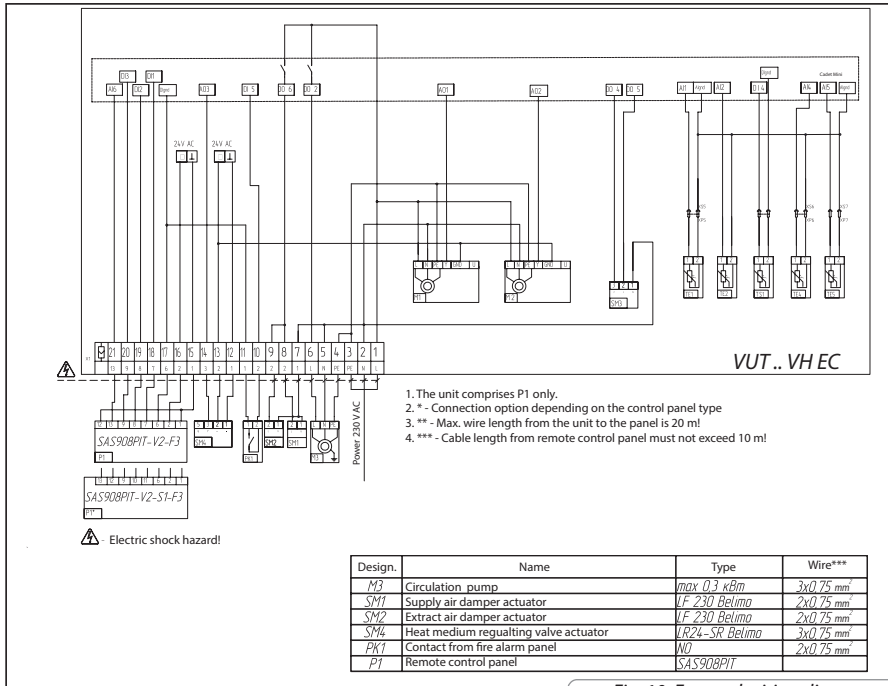


Fig. 10. External wiring diagram

Recommended rated current of the circuit breaker is 6.3 A. To connect the unit to power mains route the power and ground cables through the cable screws gland.

The mounting place of the automatic circuit breaker must ensure a quick access for alarm switching off if required.

## UNIT CONTROL

### General description of the automatic control system.

The unit is equipped with a built-in electronic control and automatic block (refer item 4 on fig. 11) and the remote control panel (fig. 14).

The automatic control system has the following functions:

1. Switching the unit ON/OFF;
2. Maintaining set supply temperature by means of actuating the heat medium regulating valve;
3. Water heater freezing protection according to TS1 thermostat installed downstream from the water heating coils and according to return heat medium sensor;
4. Actuating the heat exchanger bypass damper;
5. Control and monitoring of the external circulation pump;
6. Heat exchanger freezing protection;
7. Control and monitoring of the supply and extract fans;
8. Actuating supply and exhaust air dampers;
9. System shutdown on signal from fire fighting system.

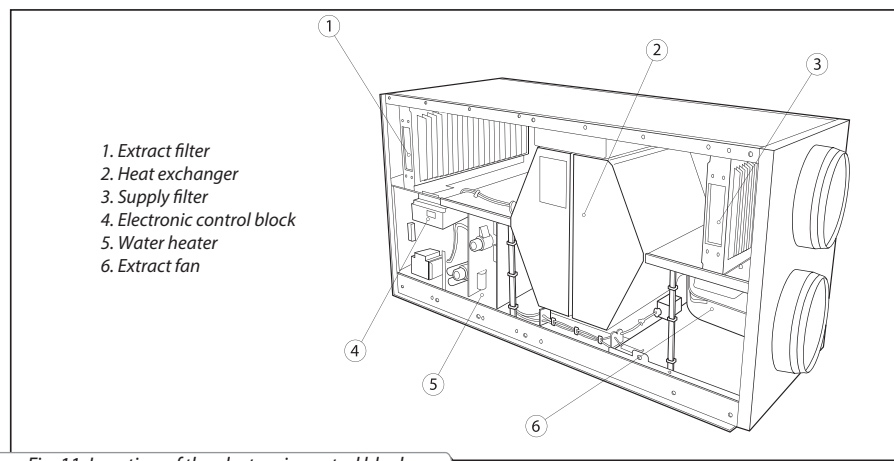


Fig. 11. Location of the electronic control block

### Structure and operating logic of automatic control system:

Automatic control system has winter and summer operation modes. The mode is selected automatically depending on the outside temperature: if the outside temperature is above the set point (0°C by default) the system operates in summer mode. If the temperature drops below this set point the system automatically switches to winter mode.

#### Basic system functions in summer mode:

- maintaining set supply air temperature level by means of controlling the heater regulation valve;
- closing of the heater regulation valve and external air dampers during the fan shutdown.

#### Extra system functions in winter mode:

- maintaining the set supply air temperature level by means of controlling the heat medium regulation valve;
- preheating of the water coils before the fan start-up within the time period set by PLC (parameter Q-02, factory setting 180 seconds, see table 3 by means of 100% opening the heater regulation valve to provide full air stream through the heating coils. This function is disabled by default, the factory setting is OFF. It is activated from the PLC, parameter Q-14, see table 2.
- maintaining set minimum return water temperature level when the fans are turned on. This level is set from the PLC menu, parameter Q-01 (refer the table 2), the default setting is +20°C.

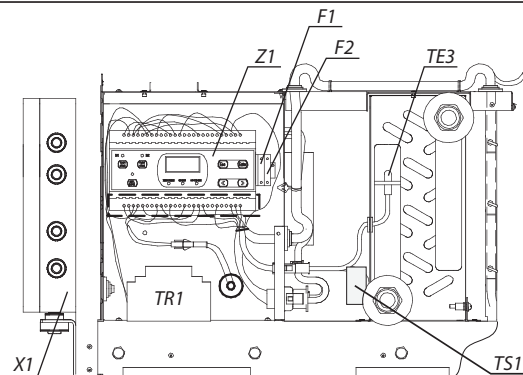
Both in winter and summer modes, the control system enables freezing protection of the water coils by the thermostat TS1 installed downstream from the heating coils.

In case of freezing danger the fans are turned off, the external air dampers are closed and the heat medium regulating is 100% opened to enable full stream of heat medium through the coils. The circulation pump is started.

The control system has extra option to restart the fans after power failure. This option is activated and adjusted from the controller menu.



The air handling unit is equipped with an electronic control block, fig. 11, 12.



- F1 - thermal fuse
- F2 - thermal fuse
- TE3 - return heat medium sensor
- TR1 - transformer 230 VAC / 24 VAC
- X1 - terminal box for external connections
- Z1 - digital controller
- TS1 - freezing protection thermostat

Fig. 12. Electronic control unit

The digital controller is the basic component of the control system, fig. 13.

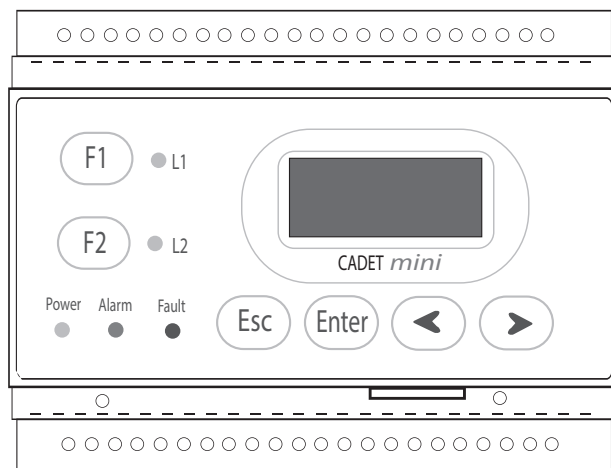


Fig. 13 Digital controller



### The controller has the following controls and indicators:

- Indicator;
- Buttons;
- LED-lights.

**Indicator** – LCD display with illumination. The display shows all the online operating parameters, temperatures, set points and alarms;

Buttons – 6 buttons on PLC panel designed for the following functions:

- **Esc** – move one level up in a list; exit parameter editing;
- **Enter** – move one level down in a list for function selection; enter edit mode; save edited set point.
- ◀ – reduce the set point value; move to the previous parameter in a list;
- ▶ – increase the set point value; move to the next parameter in a list;
- **F1, F2** – controller service buttons.

#### LED lights:

- **Power** – PLC power supply indicator;
- **Alarm** – Alarm in the system;
- **Fault** – PLC alarm;
- **L1** – not activated;
- **L2** – not activated;

### Selecting the required function:

Select the required function using the buttons ◀ and ▶, then press Enter. Press Esc to return back to the list of functions.

### Modifying set value:

Select the required parameter using the buttons ◀ and ▶, then press Enter. Use the same buttons to edit the parameter, i.e. to increase or decrease it. The editing value is blinking. Press Enter to save it. To exit without changes press Esc. The editable values are enclosed in brackets "><".



**The controller engineering parameters (factory settings) are editable only after entering the engineer password. Other parameters can be edited without entering the engineering password.**

The menu tree description is shown in the table 2. The factory setting column shows the set parameters supplied as a standard.



Table 2

Menu tree	Factory setting	Functions and parameters, effects
Online parameters (online param-s)		Online system parameters
Online temperatures (online temper-s)		Online temperature sensor reading menu
TE1		Intake air temperature
TE2		Exhaust air temperature
TE3		Return heat medium temperature
TE5		Supply air temperature
ALARMS		System alarm codes. Failure (1) or no failure (0)
E1		Breakdown or short circuit of the intake air temperature sensor. Both fans are stopped.
E2		Breakdown or short circuit of the exhaust air temperature sensor. Both fans are stopped.
E3		Breakdown or short circuit of the return heat medium sensor. Both fans are stopped.
E5		Breakdown or short circuit of the supply air temperature sensor. Both fans are stopped.
F1		F1 alarm (heat exchanger freezing) appears if exhaust air temperature remains below R-02 parameter within R-03 time period, refer heat exchanger adjustments Adjust-Recuper. In case of this alarm the bypass damper is fully opened and the supply and extract fans keep operating.
O1		Emergency system shutdown on the signal from fire fighting system. Both fans are stopped.
U1		U1 alarm (water heating coils danger) appears if air temperature downstream from the water heating coils drops below the minimum set level +3 °C.
U2		Alarm U2 (low return heat medium temperature) appears if the return heat medium temperature drops below the set critical set point Q-04. In case of any freezing danger alarms both fans are stopped, the heat medium regulating valve is 100% opened and the circulation pump turns on. Start-up of the fans at any freezing danger alarms is disabled. The system can be restarted only after the above alarms are no longer imminent, i.e. after the temperature of return heat medium TE3 (for U2 alarm) and the air temperature at outlet from the water heating coils (for U1 alarm) increases above the set point to prevent the heating coils freezing.



U3		Failure U3 (underheating) appears if return heat medium temperature at the end of the heating cycle in winter mode before the fan start-up is below the set point, factory setting +40°C. Start-up of the fans is disabled.
Adjustment		Basic controller adjustment menu. Adjustment editing by professionals only! Editing by unauthorized unskilled labour may result in the controller non-serviceability or malfunction. The adjustment menu is password protected. Password information is for professional installers and service engineers only.
Passw		The adjustment enter password is 1111 by default. To enter the password which is displayed as "*****" select the first number with buttons ◀ and ▶ and press Enter, then enter the second number with buttons ◀ and ▶ then press Enter and so on. After entering the last number press Enter to get to adjustment menu. The engineering menu is displayed, (Eng. adjust.)
Adjustment of fans (Adjust-vent)		Fan parameter adjustment menu
V-02	40	Supply fan low speed adjustment [%]
V-03	70	Supply fan medium speed adjustment [%]
V-04	100	Supply fan high speed adjustment [%]
V-05	40	Extract fan low speed adjustment [%]
V-06	70	Extract fan medium speed adjustment [%]
V-07	100	Extract fan high speed adjustment [%]
V-08	Enables (yes)	This parameter enables/disables fan start-up after power supply failure. Disable function (no) disables the fan start-up after the power supply failure and enable function (yes) enables the fan start-up after the power supply failure;
Pump adjustment (Adjust-pump)		Adjustment menu for circulation pump of the water heater.
H-01	20	Minimum operating time of the circulation pump [s].
H-02	Enabled (yes)	This parameter enables/disables the circulation pump operation in summer mode. Disable function (no) disables the pump start-up in summer mode and enable function (yes) enables the pump start-up when the heat medium regulating valve is activated.



Additional adjustments		Additional controller adjustment menu
Date/time		Day and time in adjustment menu
Date		Date adjustment menu
Time		Time adjustment menu
Correct time	0	PLC timer correction factor per month. If the PLC timer is too fast or too low, adjust the timer respectively by means of adjusting the miscoordination time per month. Set the coefficient in seconds with minus mark if the controller timer is too fast or plus mark if the controller timer is too slow.
Change password	2222	Use this function to edit the engineering password. To change the password (which is shown as "****") select the first number with buttons ◀ and ▶ and press Enter, then enter the second number with buttons ◀ and ▶, then press Enter and so on. To return to the previous digit entry press Esc. After entering the last number the PLC saves the new password. From now on every time when you enter the engineering menu enter the new password. Note: In case of PLC adjustments reset (refer Eng. Adjust., reset) the engineering password is set as 2222.
Light	Auto	PLC lighting mode. The LCD display illumination is off after some time period provided that no button were pressed ("Auto" mode) or is on all the time ("ON" mode).
Adjustment interface		Interface parameter
Protocol	UNIV.	Communications protocol. ModBus or UNIV value is available.
Speed	38,4	Data transfer speed
Devices	126	The number of devices in the network
Number	4	PLC number in the interface network.
Engineering menu (Engineering adjustment).		Engineering menu contains engineering adjustments protected by the engineering password (2222 by default).



Water heater adjustment (Adjust-heater)		Water heater adjustment menu.
Q-01	20	Return heat medium temperature in winter mode when the fans are turned off that is kept automatically at set level by means of actuating the heat medium regulating valve [°C].
Q-02	180	Time period for air heating coil preheating [s]. During this period the heat medium regulating valve is fully opened, the pump is turned on.
Q-03	40	Return medium temperature at the end of the heating cycle [°C]. If the return medium temperature is below Q-03, the fan start-up is disabled and U3 alarm is generated (refer Alarms, U3 code).
Q-04	5	Minimum return heat medium temperature to detect the water heating coils danger [°C]. If the return heat medium temperature drops down below Q-04, the heating coil freezing protection is activated (refer Alarms, U2 code).
Q-05	0	Winter/summer mode switching temperature [°C]. The unit switches automatically to summer or winter operation mode if the outside temperature is above or below the Q-05 set point.
Q-07	180	Time period to reset the water coils freezing failures [s]. If automatic alarm reset is enabled and any freezing danger appears, the fans are restarted if they were operating before the alarm after Q-07 set time period provided that the alarm is removed.
Q-08	2	Adjustment of supply air temperature regulation parameters by the heat medium regulating valve - PI-regulation proportionality constant.
Q-09	60	Adjustment of supply air temperature regulation parameters by the heat medium regulating valve - PI-regulation integrating coefficient [s].
Q-10	0,5	Adjustment of supply air temperature regulation parameters by the heat medium regulating valve - dead zone [°C]. If the discrepancy is below Q-10, it shall be disregarded.
Q-11	2	Adjustment of return heat medium temperature regulation parameters by the heat medium regulating valve - PI-regulation proportionality constant.
Q-12	60	Adjustment of return heat medium temperature regulation parameters by the heat medium regulating valve - PI-regulation integrating coefficient [s].
Q-13	0,5	Adjustment of the return heat medium temperature regulation parameters by the heat medium regulating valve - dead zone [°C]. If the discrepancy is below Q-13, it shall be disregarded.
Q-14	Turned off (off)	Enable/Disable water coil pre-heating before the fan start-up in winter mode.



Heat exchanger adjustments (Adjust-Recuper.)		Heat exchanger adjustment menu.
R-01	0	Minimum allowable exhaust air temperature downstream from the heat exchanger that does not require exhaust temperature regulation [°C]. If actual exhaust air temperature drops down below R-01 parameter, the bypass damper is partially opened to keep exhaust air temperature within required parameters. After exhaust air temperature increase above R-01 parameter, the bypass damper is closed.
R-02	-5	Minimum allowable exhaust air temperature downstream from the heat exchanger [°C]. If exhaust air temperature remains below R-02 parameter longer than R-03 period, F1 alarm signal is generated.
R-03	600	Time period to check exhaust air temperature decrease [s].
R-04	1	Adjustment of the exhaust air temperature regulation parameters by the bypass valve - PI-regulation proportionality constant.
R-05	100	Adjustment of the exhaust air temperature regulation parameters by the bypass valve - PI-regulation integrating coefficient [s].
R-06	0,5	Adjustment of the exhaust air temperature regulation parameters by the bypass valve - dead zone [°C]. If the discrepancy is below R-06, it shall be disregarded.
R-07	1	Adjustment of the supply air temperature regulation parameters by the bypass valve - PI-regulation proportionality constant.
R-08	100	Adjustment of the supply air temperature regulation parameters by the bypass valve - PI-regulation integrating coefficient [s].
R-09	0,5	Adjustment of the supply air temperature regulation parameters by the bypass valve - dead zone [°C]. If the discrepancy is below R-06, it shall be disregarded.



**The following alarms are possible:**

- water heater freezing danger according to too low return heat medium temperature;
- water heater freezing danger according to too low air temperature downstream from the water heater;
- low return heat medium temperature (cold start is disabled);
- low exhaust air temperature to prevent the heat exchanger from freezing;
- emergency system shutdown on the signal from fire fighting system.

In case of any listed above alarms the control system stops the fans and the light indicator Alarm, refer fig. 13 on the controller panel is on. Each alarm code is explained on the controller display, refer table 3.

All the alarms (except for the alarm U2, low return heat medium, to prevent the water heater from freezing) are reset automatically during the system restart.

The control system sends an alarm signal whenever water coils freezing danger exists, namely: Alarm U2 appears if return heat medium temperature is below the set point, Q-04 parameter (refer the table 3, factory setting +5°C). The parameter is adjusted in the PLC menu. Alarm U1 appears if air temperature downstream from the water heater drops below the minimum set level +3°C. In this case the freeze protection thermostat is activated. In case of U1 and U2 failures the light indicator on the control panel is turned on. Simultaneously the fans shut down and the heat medium regulating valve is 100% open to provide full heat medium stream through the water heating coils.

After alarm signal the circulation pump is turned on no matter of its previous operation mode. After the fault is identified and removed unblock the alarm by pressing the start button (1) on the control panel.

The freezing danger, alarm U1 is detected by the thermostat TS1 located downstream from the water heating coil. The freezing danger, alarm U2 is detected by TE3 return medium temperature sensor. Alarm appears if return heat medium temperature or air temperature downstream from the water heating coils drops down below the set parameter. The freezing danger is detected both in winter and summer modes.

U3 alarm (Underheating) appears if the return heat medium temperature at the end of the heating cycle in winter mode is below the set point, Q-03 parameter adjusted from the PLC menu, the factory setting is +40°C. As this alarm is detected the fans cannot be started and the light indicator «Alarm» on the control panel is turned on, see fig. 13. To reset underheating alarm, restart the unit. The light indicator «Alarm» on PLC is turned off and the fans are restarted.



## Remote control panel

The unit is equipped with a remote control panel that has the following functions:

- Turning the unit on/off from the control panel;
- Setting required air capacity (auto/high/med/low);
- Setting supply air temperature;
- Displaying indoor temperature;
- Day/Night mode switching on/off.

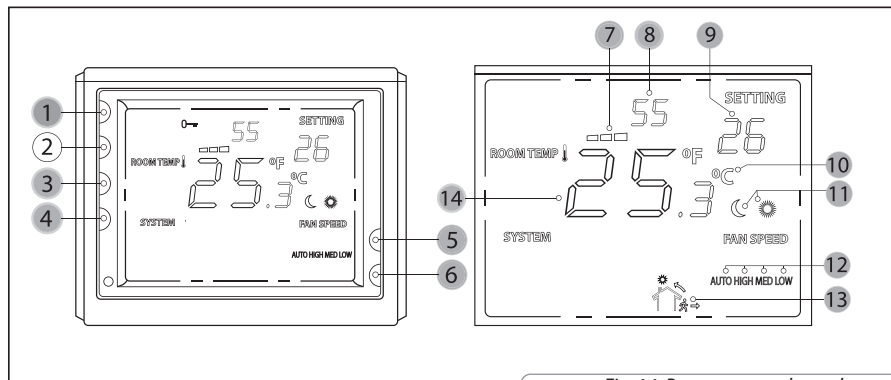


Fig. 14. Remote control panel

- |   |   |
|---|---|
| 1. ON/OFF button;                       | 8. Temperature output signal value;           |
| 2. Not applied;                         | 9. Supply air temperature setting indication; |
| 3. Fan speed (auto/high/med/low);       | 10. Temperature measuring unit;               |
| 4. Day/night mode;                      | 11. Day / night indication;                   |
| 5. Supply air temperature setting up;   | 12. Fan speed indication;                     |
| 6. Supply air temperature setting down; | 13. Motion sensor condition (if connected);   |
| 7. Temperature output signal indicator; | 14. Indoor temperature displaying.            |

To turn the unit on/off press the button 1 on the control panel, fig. 14. To set the required air capacity (LOW, MED, HIGH or AUTO) press consecutively the button 3, see fig. 14. The speed settings are displayed on the control panel. The day/night mode switch is set by the button 4 while holding it within 3 seconds. In night mode the minimum supply air temperature is maintained as set from the service menu from +18°C to +25°C in one fan operation mode. The set mode is displayed on the control panel 11. Supply temperature level is set by means of the buttons 5 and 6 and the online supply temperature setting is also displayed on the control panel 9.





## FUNCTIONAL DIAGRAMM

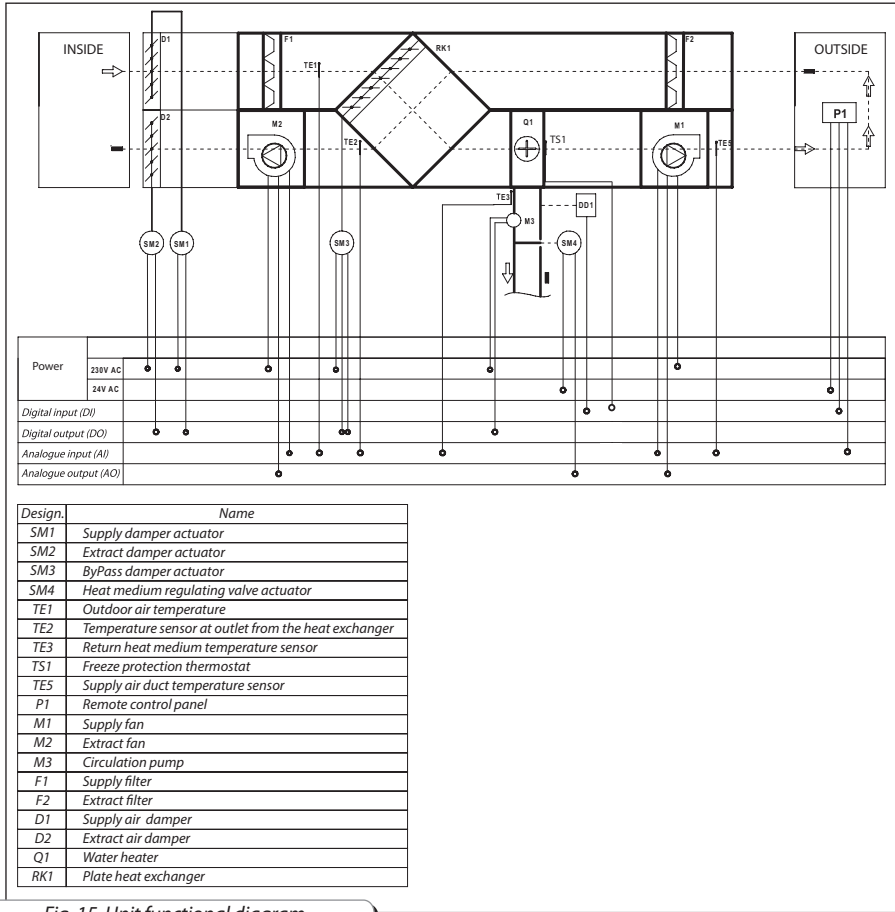


Fig. 15. Unit functional diagram



## MAINTENANCE

Maintenance operations of the unit are required 3-4 times per year. Maintenance includes regular cleaning and the following operations:

### 1. Filter maintenance

Dirty filters increase air resistance in the system and reduce supply air volume. The filters require cleaning once in 3-4 months. Clean the filters with a vacuum cleaner or replace with a new filter. Contact your local manufacturer representative for new filters.

### 2. Heat exchanger inspection (once per year).

Some dust can get accumulated on the heat exchanger block even in case of regular maintenance of the filters. To maintain the high heat exchange efficiency, regular cleaning is required. To clean the heat exchanger pull it out of the unit and clean it with warm soap or mild detergent water solution. Re-install the dry heat exchanger to the unit.

### 3. Fan inspection (once per year).

Even in case of regular maintenance of the filters, some dust and grease can get accumulated inside the fans and reduce the fan performance and supply air flow.

Clean the fans with a soft brush or cloth. No water and abrasive detergent, sharp objects or solvents are allowed for cleaning to prevent the impeller damage.

### 4. Condensate drainage (once per year).

The drain pipes may get clogged with extracted particles. Pour some water inside the drain pan and check the pipe for clogging. Clean the U-trap and drain pipe if required.

### 5. Supply air flow control (twice per year).

Leaves and other pollutions can clog the supply air grille and reduce the unit performance and supply air volume. Check the supply grille twice per year and clean it as required.

### 6. Ductwork system inspection (once in 5 years).

Even if you follow all the listed maintenance guidelines, some dust can get accumulated inside the air ducts and reduce the unit performance. Duct maintenance means regular cleaning or replacements.

### 7. Exhaust grilles and intake diffusers cleaning (as required).

Remove the diffusers and the grilles and wash them with warm water and mild detergent solution. Do not change locations of the diffusers and the grilles.



## FAULT HANDLING

Table 3

Possible faults and fault handling

Problem	Possible reasons	Fault handling
The fan(s) do(es) not get started	No power supply.	Make sure the power supply line is connected correct, otherwise troubleshoot the connection error.
	Motor is jammed, the blades are soiled.	Turn the unit off. Remove the motor jamming. Clean the blades. Restart the unit.
	Alarm in the system.	Remove the system alarm. Restart the unit.
Automatic circuit breaker tripping.	High current consumption due to short circuit in power line results in automatic circuit breaker tripping.	Turn the unit off. Remove the reason of high power consumption. Check the automatic circuit breaker operation. Turn the circuit breaker off-on. Restart the unit.
Low air flow.	Low set air flow.	Switch the unit to higher air flow.
	The filters, fans are soiled, the heat exchanger is soiled.	Clean or replace the filters; clean the fan(s) and the heat exchanger.
	The ventilation system components (air ducts, diffusers, louvre shutters, grilles) are soiled or damaged.	Clean or replace the ventilation system components (air ducts, diffusers, louvre shutters, grilles).
	Air dampers, diffusers or louvre shutters are closed.	Make sure that the air dampers, diffusers or louvre shutters are fully opened.
Cold supply air.	The extract filter is soiled.	Clean or replace the extract filter.
	The heat exchanger is frozen.	Check the heat exchanger condition. Shutdown the unit and turn it on after the freezing danger is no longer imminent.
	Malfunction of the water heater.	Contact the service centre.
High noise, vibration.	The impeller(s) is(are) soiled.	Clean the impeller(s).
	Loose screw tightening.	Tighten the screws to stop.
	No anti-vibration mounts.	Install the rubber anti-vibration mounts.
Water leakage.	The drain system is soiled, damaged or wrong arranged.	Clean the drain system. Check the drain slope angle. Make sure that the U-trap is filled with water and the drain pipes are frost protected.



### STORAGE AND TRANSPORTATION RULES

Store the unit in the manufacturer's original packing box in a closed ventilated premise with temperature range from +10°C to +40°C and relative humidity less than 80% (at 20°C).

Vapours or particles which can cause corrosion or damage the insulation or connection tightness are not allowed in the storage environment.

Use hoist machinery for handling and transportation to prevent possible mechanical damages of the unit. Fulfill the requirements for transportation of the specified cargo type during cargo-handling operations.

Use any vehicle types for the unit transportation provided that it is protected against mechanical or weather damage.

Avoid any mechanical shocks and strokes during handling operations.

### MANUFACTURER'S WARRANTY

Manufacturer hereby guarantees normal performance of the unit during two years from the date of retail sale provided compliance with transport, storage, mounting and operation regulations. In case of no confirmation of the sales date the warranty period is calculated from the manufacturing date.

In case of failures in the unit operation during the warranty period the manufacturer will accept reclamations and complaints from the owner of the device only after receiving technically sound act with detailed description of the failure.

Unit damage as a result of unauthorized tampering with the circuit diagram is not a warranty case.

For warranty and post-warranty services of the unit please contact the product manufacturer. In case of warranty claim please submit the present user's manual with the seller's stamp, filled connection certificate and warranty card. Warranty repair services (provided that the warranty card and the seller's stamp and the present user's manual) and post-warranty services are fulfilled at the manufacturing facility.



**WARRANTY CLAIMS ARE ACCEPTED WITH THIS USER'S MANUAL AND FILLED CONNECTION CERTIFICATE ONLY.**



**The MANUFACTURER is not responsible for any mechanical or physical damages resulting from the manual requirements violence, the unit misuse or gross mechanical effect.**

**Fulfill the requirements set in the user's manual to ensure proper functioning of the unit.**



## ACCEPTANCE CERTIFICATE

The air handling unit with heat recovery VUT \_\_\_\_\_ WH EC has been duly certified as serviceable. We hereby declare that the product complies with the essential protection requirements of Electromagnetic Council Directive 2004/108/EC, 89/336/EEC and Low Voltage Directive 2006/95/EC, 73/23/EEC and CE-marking Directive 93/68/EEC on the approximation of the laws of the Member States relating to electromagnetic compatibility.

This certificate is issued following test carried out on samples of the product referred to above.

Acceptance Inspector's Stamp \_\_\_\_\_

Date of manufacture \_\_\_\_\_

**Sold by**

Name of trade company \_\_\_\_\_

Date of sale \_\_\_\_\_

## ELECTRICAL CONNECTION CERTIFICATE

This is to certify that the air handling unit VUT \_\_\_\_\_ WH EC has been connected to power mains pursuant to the requirements stated in the present user's manual by a qualified technician:

Company \_\_\_\_\_

Name \_\_\_\_\_

Date \_\_\_\_\_ Signature \_\_\_\_\_

## WARRANTY CARD

\_\_\_\_\_

\_\_\_\_\_

\_\_\_\_\_

\_\_\_\_\_

\_\_\_\_\_

\_\_\_\_\_

\_\_\_\_\_







