

Series
VENTS VUT/VUE V2 mini EC



Air handling units with air flow up to **300 m³/h**.
Heat recovery efficiency up to **79 %**.

■ **Description**

The air handling units are the fully featured ventilation units with heat recovery for air filtration, fresh air supply and stale air extract. During operation the extract air heat is transferred to the supply air stream by the highly efficient plate heat exchanger.

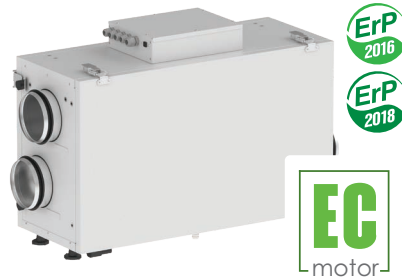
■ **Casing**

The casing of the VUT/VUE 300 V/H mini EC units is of aluzinc steel, internally filled with 20 mm mineral wool heat- and sound-insulating layer.

■ **Fans**

The units are equipped with high-efficient EC motors with an external rotor and forward curved blades.

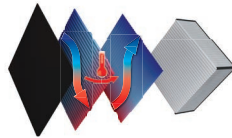
Series
VENTS VUT/VUE H2 mini EC



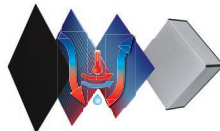
Air handling units with air flow up to **300 m³/h**.
Heat recovery efficiency up to **79 %**.

■ **Heat exchanger**

The **VUT V2/H2 mini EC** units are equipped with a cross-flow polystyrene heat exchanger.

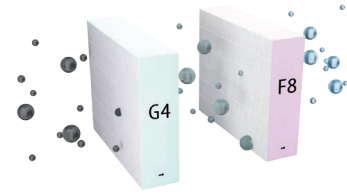


The **VUE V2/H2 mini EC** units are equipped with an enthalpy cross flow heat exchanger.



■ **Filter**

Two built-in filters with filtration class G4 and F8 provide efficient supply air filtration. Extract air is cleaned by a built-in filter with filtration class G4.



■ **Control and automation**

The VUT/VUE 300 H2/V2 mini EC A2 units are equipped with an A2 speed controller (R-1/010). The VUT/VUE 300 H2/V2 mini EC A14 units are equipped with a remote control panel with touch buttons and LED indication.



To prevent the heat exchanger freezing, electronic protection system is applied. It switches the supply fan off as the temperature sensor requires.



■ **Installation**

Mounting to floor or wall with fixing brackets. The VUE 300 H2 mini EC can also be suspended to the ceiling. The VUT 300 H2 mini EC unit installation position must provide proper condensate drainage.

Accessories

Model	Panel filter G4	Panel filter F8	Indoor humidity sensor (0-10 V)	Outdoor CO ₂ sensor with indication	Outdoor CO ₂ sensor	Outdoor humidity sensor	Kitchen hood
VUT 300 V2/H2 mini EC A2	SF 240x184x40 G4	SF 240x184x40 F8	-	-	-	-	-
VUE 300 V2/H2 mini EC A2							
VUT 300 V2/H2 mini EC A14			HV-2	CO2-1	CO2-2	HR-S	KH-1
VUE 300 V2/H2 mini EC A14							

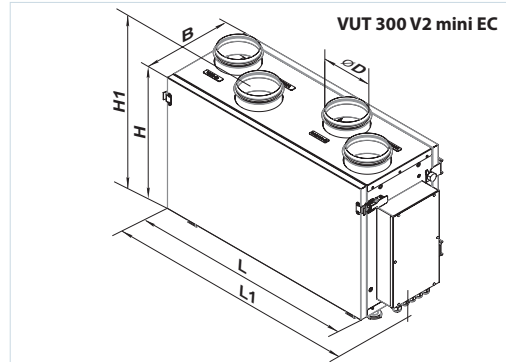
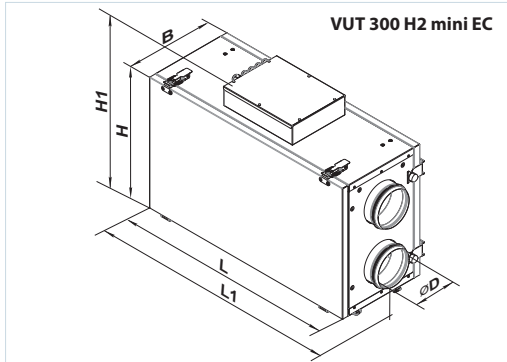
Model	Silencers		Back valves	Air dampers	Clamps	Hydraulic U-trap	Electric actuator
VUT 300 V2/H2 mini EC A2	SR 125	SRF 125	KOM 125	KRV 125	S 125	SH-32	-
VUE 300 V2/H2 mini EC A2							
VUT 300 V2/H2 mini EC A14							LF230
VUE 300 V2/H2 mini EC A14							

Designation key

Series	Rated air flow [m³/h]	Mounting type	Casing type	Model	Motor type	Casing colour	Control type
VUT: ventilation with heat recovery VUE: ventilation with energy recovery	300	V: vertical installation H: horizontal installation	2: 20 mm insulation	mini	EC: synchronous electronically commutated motor	_: aluzinc White: white painted	A2: speed controller A14: sensor control panel with LED indication

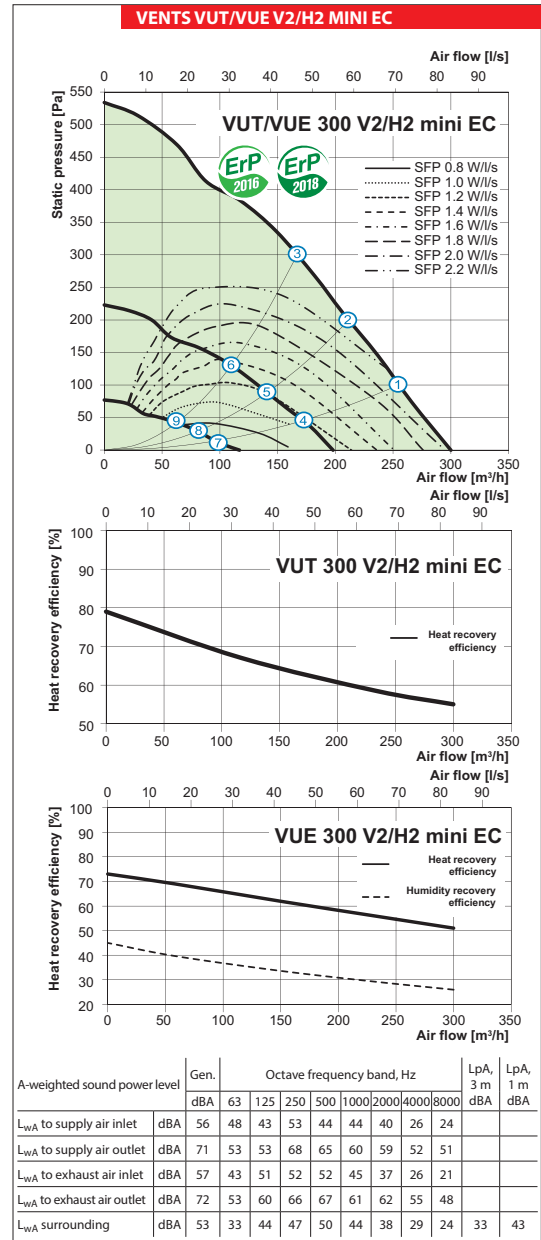
Overall dimensions

Model	Dimensions [mm]					
	Ø D	B	H	H1	L	L1
VUT 300 V2 mini EC	125	287	447	495	714	776
VUT 300 H2 mini EC				510		810

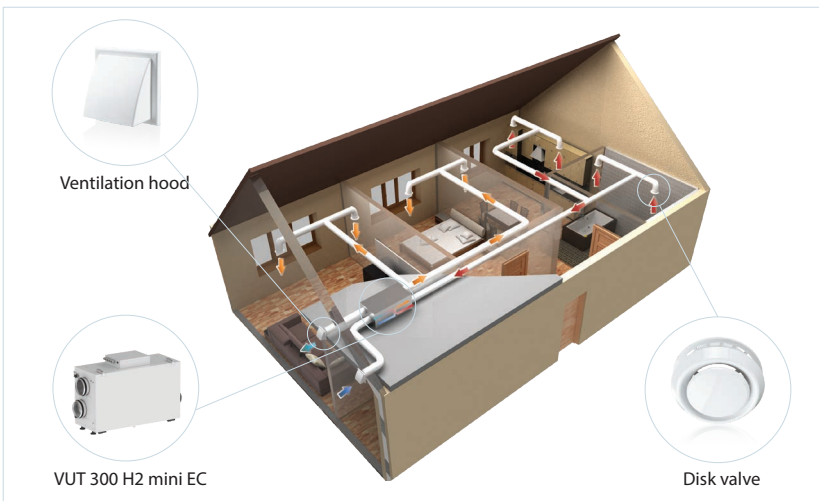


Technical data

	VUT 300 V2 mini EC VUT 300 H2 mini EC	VUE 300 V2 mini EC VUE 300 H2 mini EC
Voltage [V/Hz]	1~230	
Maximum unit power (without a heater) [W]	165	
Maximum unit current (without a heater) [A]	1.3	
Max. air flow [m³/h]	300	
RPM [min ⁻¹]	2050	
Sound pressure level at a distance of 3 m [dBA]	33	
Transported air temperature [°C]	-25...+40	
Insulation	20 mm mineral wool	
Filter: extract filter	G4	
Filter: supply filter	G4, F8 (PM2.5 87%)	
Connected air duct diameter [mm]	Ø125	
Mass [kg]	32	28
Heat recovery efficiency [%]	from 55 up to 79	from 51 up to 73
Humidity recovery efficiency [%]	-	from 26 up to 45
Heat exchanger type	cross-flow	
Heat exchanger material	polystyrene	enthalpy
SEC class (A2)	B	C
SEC class (A14)	A	A



Application options



A-weighted sound power level	Gen.	Octave frequency band, Hz								LpA, 3 m dBA	LpA, 1 m dBA	
		63	125	250	500	1000	2000	4000	8000			
L _{WA} to supply air inlet	dBA	56	48	43	53	44	44	40	26	24		
L _{WA} to supply air outlet	dBA	71	53	53	68	65	60	59	52	51		
L _{WA} to exhaust air inlet	dBA	57	43	51	52	52	45	37	26	21		
L _{WA} to exhaust air outlet	dBA	72	53	60	66	67	61	62	55	48		
L _{WA} surrounding	dBA	53	33	44	47	50	44	38	29	24	33	43